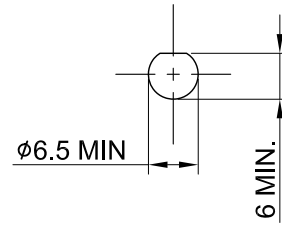
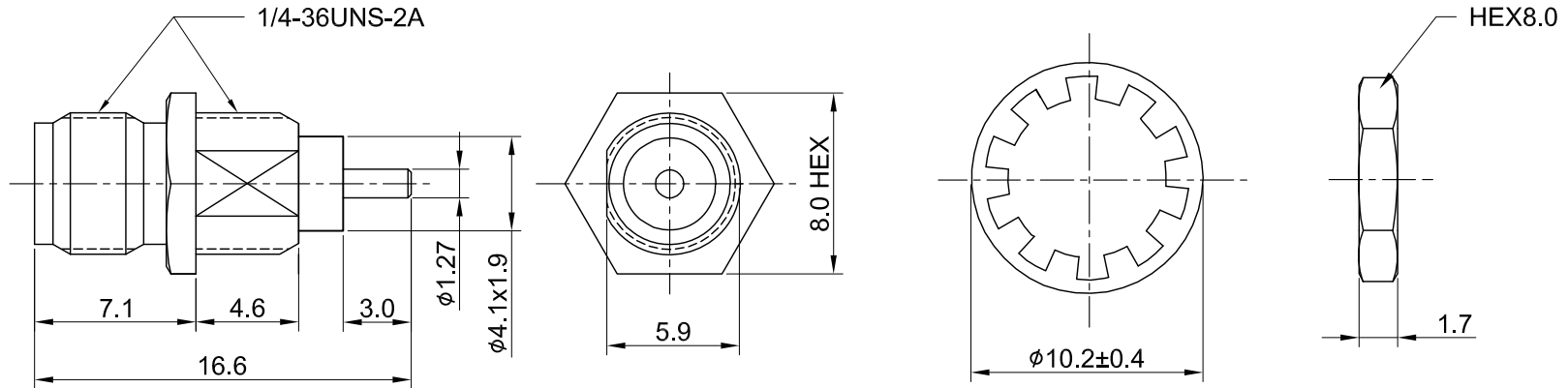


REV	DESCRIPTION	DATE
2.00	CHG BODY DESIGN	2014/06/24
2.10	NEW DRAWING FRAME	2024/01/05



RECOMMENDED MOUNTING HOLE



MECHANICAL DATA
 DURABILITY : 500 CYCLES
 TEMPERATURE RANGE : -65°C ~ + 165°C

ELECTRICAL DATA
 FREQUENCY RANGE: DC~6GHz
 IMPEDANCE : 50Ω
 VSWR : 1.3 MAX.
 WORKING VOLTAGE : AC 500V
 WITHSTANDING VOLTAGE : AC 1000V
 INSULATION RESISTANCE : 5000 MΩ MIN

06	NUT	BRASS	GOLD	1
05	WASHER	BRASS	GOLD	1
04	INSULATOR B	TEFLON	NONE	1
03	CENTER PIN	Be.Cu	GOLD	1
02	INSULATOR A	TEFLON	NONE	1
01	BODY	BRASS	GOLD	1
NO	DESCRIPTION	MATERIAL	FINISH	Q'TY

TITLE SMA(F)st.bh.front mount receptacle jack(blunt post), total length:16.6mm		DWG NO. C02AK3136-1			
CUST. P/N: N/A DWG NO: N/A		GENERAL TOLERANCES .X ±0.2 .XX ±0.2 .XXX ±0.2 ANGLES N/A		DRAWN BY: Kelly 2024/01/05 CHK'D BY: Chili 2024/01/05	
SHEET 1 of 1		Unit: mm		DA2312260034 REV. 2.10	