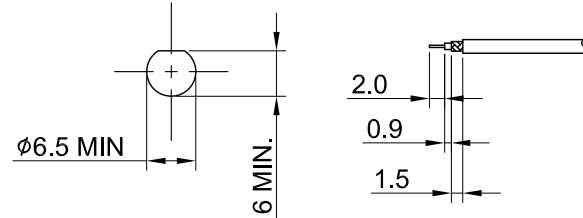
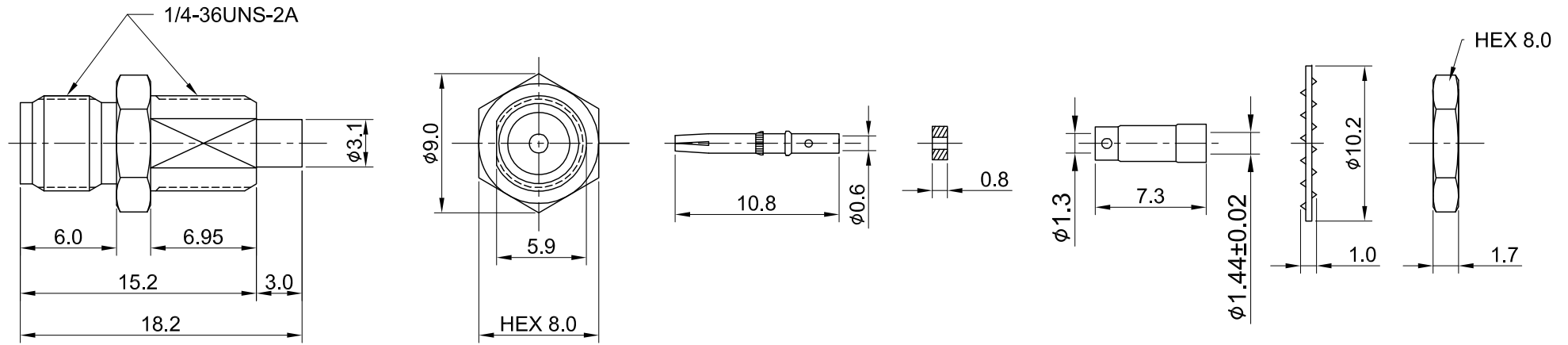


REV	DESCRIPTION	DATE
1.00	INITIAL DESIGN	2017/07/21
1.10	NEW DRAWING FRAME	2023/12/11



RECOMMENDED MOUNTING HOLE

RECOMMENDED STRIP LENGTHS



MECHANICAL DATA  
 DURABILITY : 500 CYCLES  
 TEMPERATURE RANGE : -65°C ~ + 165°C

ELECTRICAL DATA  
 FREQUENCY RANGE: DC~6GHz  
 IMPEDANCE : 50Ω  
 VSWR : 1.3 MAX.  
 WORKING VOLTAGE : AC 170V  
 WITHSTANDING VOLTAGE : AC 500V  
 INSULATION RESISTANCE : 5000 MΩ MIN

07	INSULATOR B	TEFLON	NONE	1
06	NUT	BRASS	GOLD	1
05	WASHER	BRASS	GOLD	1
04	SLEEVE	BRASS	NICKEL	1
03	CENTER PIN	Be.Cu	GOLD	1
02	INSULATOR A	TEFLON	NONE	1
01	BODY	BRASS	GOLD	1
NO	DESCRIPTION	MATERIAL	FINISH	Q'TY

TITLE		
SMA(F)st.bh.front mount for 1.37 cable		
DWG NO. C02AK31137011B		
CUST. P/N: N/A DWG NO: N/A		
SHEET 1 of 1 Unit: mm		
GENERAL TOLERANCES		DRAWN BY: Kelly 2023/12/11
.X ±0.2 .XX ±0.2 .XXX ±0.2 ANGLES N/A		CHK'D BY: Eileen 2023/12/11
DA2312110008		REV. 1.10

