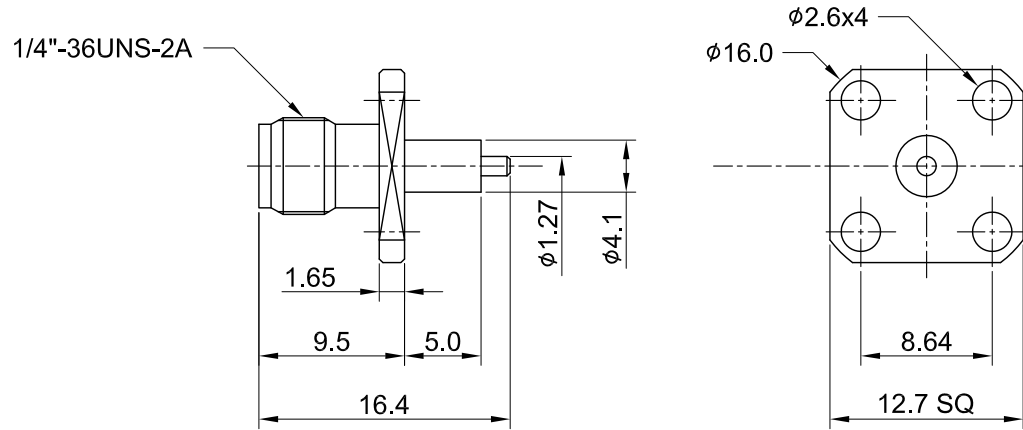


REV	DESCRIPTION	DATE
2.00	CHG INSULATOR INNER DESIGN (HALF AIR)	2018/01/24
3.00	NOT HALF AIR INSULATOR DESIGN	2023/12/19



MECHANICAL DATA  
 DURABILITY : 500 CYCLES  
 TEMPERATURE RANGE : -65°C ~ + 165°C

ELECTRICAL DATA  
 FREQUENCY RANGE: DC~6GHZ  
 IMPEDANCE : 50Ω  
 VSWR : 1.3 MAX.  
 WORKING VOLTAGE : AC 500V  
 WITHSTANDING VOLTAGE : AC 1000V  
 INSULATION RESISTANCE : 5000 MΩ MIN

TITLE  
 SMA(F) 4hole panel SQ12.7 with 5mm extended PTFE, blunt post, total 16.4

DWG NO.  
 C02AM3106D



04	INSULATOR B	TEFLON	NONE	1
03	CENTER PIN	Be.Cu	GOLD	1
02	INSULATOR A	TEFLON	NONE	1
01	BODY	BRASS	GOLD	1
NO	DESCRIPTION	MATERIAL	FINISH	Q'TY

CUST.  
 P/N: N/A  
 DWG NO: N/A

GENERAL TOLERANCES  
 .X ±0.2  
 .XX ±0.2  
 .XXX ±0.2  
 ANGLES N/A

DRAWN BY: Kelly 2023/12/19  
 CHK'D BY: Eileen 2023/12/19

REV.  
 3.00  
 DA2312190009

SHEET 1 of 1 Unit: mm