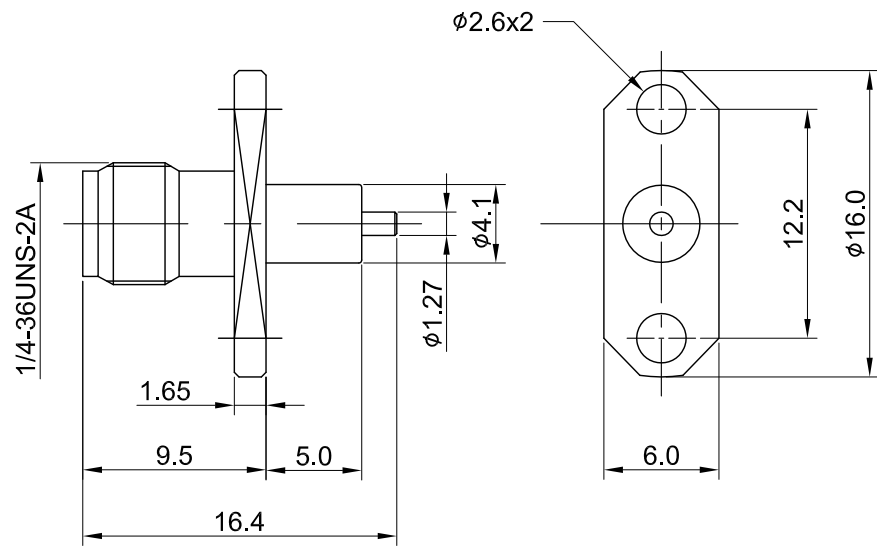



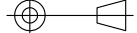
REV	DESCRIPTION	DATE
2.10	NEW DRAWING FRAME	2023/08/07
2.11	CORRECT INSULATION RESISTANCE UNIT	2024/01/05



MECHANICAL DATA
 DURABILITY : 500 CYCLES
 TEMPERATURE RANGE : -65°C ~ + 165°C

ELECTRICAL DATA
 FREQUENCY RANGE: DC~6GHz
 IMPEDANCE : 50Ω
 VSWR : 1.3 MAX.
 WORKING VOLTAGE : AC 500V
 WITHSTANDING VOLTAGE : AC 1000V
 INSULATION RESISTANCE : 5000 MΩ MIN

04	CENTER PIN	Be.Cu	GOLD	1
03	INSULATOR B	TEFLON	NONE	1
02	INSULATOR A	TEFLON	NONE	1
01	BODY	BRASS	GOLD	1
NO	DESCRIPTION	MATERIAL	FINISH	Q'TY

TITLE SMA(F) st 2 holes panel mount 5mm extended PTFE, blunt post	
DWG NO. C02AQ3114C	
CUST. P/N: N/A DWG NO: N/A	GENERAL TOLERANCES .X ±0.2 .XX ±0.2 .XXX ±0.2 ANGLES N/A
SHEET 1 of 1 Unit: mm	DRAWN BY: Kelly 2024/01/05 CHK'D BY: David 2024/01/05  DA2312290005 REV. 2.11