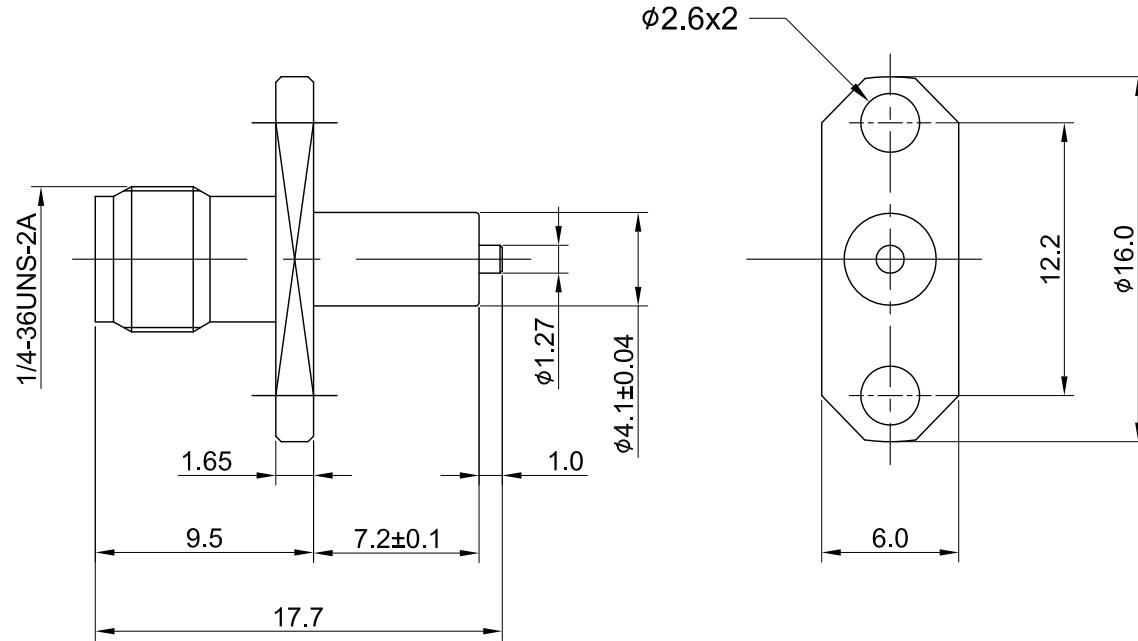


REV	DESCRIPTION	DATE
1.00	INITIAL DESIGN	2017/08/28
1.10	NEW DRAWING FRAME	2023/12/28



MECHANICAL DATA
 DURABILITY : 500 CYCLES
 TEMPERATURE RANGE : -65°C ~ + 165°C

ELECTRICAL DATA
 FREQUENCY RANGE: DC~12.4GHz
 IMPEDANCE : 50Ω
 VSWR : 1.25 MAX.
 WORKING VOLTAGE : AC 500V
 WITHSTANDING VOLTAGE : AC 1000V
 INSULATION RESISTANCE : 5000 MΩ MIN

TITLE
 SMA(F) st 2 holes panel mount 7.2mm extended PTFE, total 17.7mm, Blunt post, 12.4GHz

DWG NO.
 C02AQ3114N



CUST. P/N: N/A
 DWG NO: N/A

GENERAL TOLERANCES	DRAWN BY: Kelly	2023/12/28
.X ±0.2	CHK'D BY: Maria	2023/12/28
.XX ±0.2		
.XXX ±0.2		
ANGLES N/A		
	DA2312260047	REV. 1.10

NO	DESCRIPTION	MATERIAL	FINISH	Q'TY
04	INSULATOR B	TEFLON	NONE	1
03	CENTER PIN	Be.Cu	GOLD	1
02	INSULATOR A	TEFLON	NONE	1
01	BODY	BRASS	GOLD	1

SHEET 1 of 1 Unit: mm