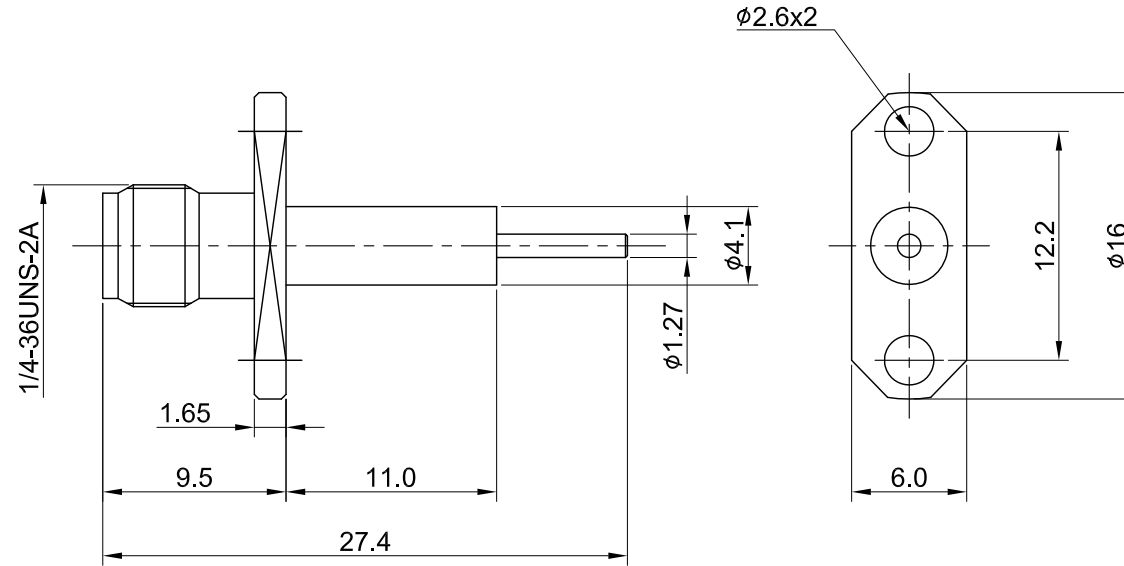




REV	DESCRIPTION	DATE
1.00	INITIAL DESIGN	2018/01/15
1.10	NEW DRAWING FRAME	2023/12/29



MECHANICAL DATA
 DURABILITY : 500 CYCLES
 TEMPERATURE RANGE : -65°C ~ + 165°C

ELECTRICAL DATA
 FREQUENCY RANGE: DC~6GHz
 IMPEDANCE : 50Ω
 VSWR : 1.3 MAX.
 WORKING VOLTAGE : AC 500V
 WITHSTANDING VOLTAGE : AC 1000V
 INSULATION RESISTANCE : 5000 MΩ MIN

04	INSULATOR B	TEFLON	NONE	1
03	CENTER PIN	Be.Cu	GOLD	1
02	INSULATOR A	TEFLON	NONE	1
01	BODY	BRASS	GOLD	1
NO	DESCRIPTION	MATERIAL	FINISH	Q'TY

TITLE	
SMA(F) 2 hole panel with 11mm extended PTFE, blunt post	
DWG NO. C02AQ31140	
CUST. P/N: N/A DWG NO: N/A	
SHEET 1 of 1	Unit: mm
GENERAL TOLERANCES .X ±0.2 .XX ±0.2 .XXX ±0.2 ANGLES N/A	DRAWN BY: Kelly 2023/12/29 CHK'D BY: Maria 2023/12/29  DA2312260048 REV. 1.10