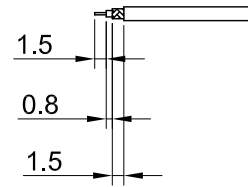
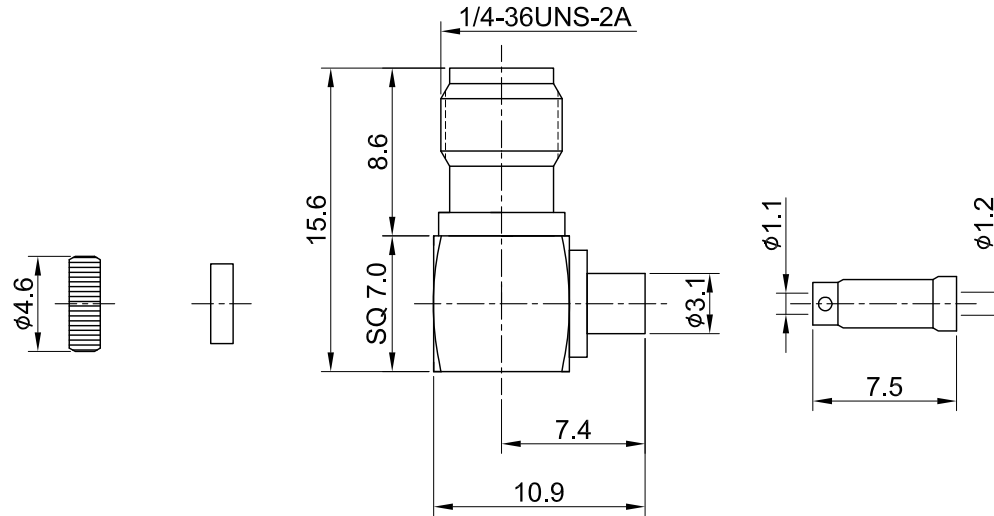


REV	DESCRIPTION	DATE
1.00	INITIAL DESIGN	2021/04/07
1.10	NEW DRAWING FRAME	2024/01/09



RECOMMENDED STRIP LENGTHS



MECHANICAL DATA
 DURABILITY : 500 CYCLES
 TEMPERATURE RANGE : -65°C ~ + 165°C

ELECTRICAL DATA
 FREQUENCY RANGE: DC~6GHZ
 IMPEDANCE : 50Ω
 VSWR : 1.5 MAX.
 WORKING VOLTAGE : AC 170V
 WITHSTANDING VOLTAGE : AC 500V
 INSULATION RESISTANCE : 5000 MΩ MIN

06	SLEEVE	BRASS	NICKEL	1
05	CAP	BRASS	GOLD	1
04	INSULATOR B	TEFLON	NONE	1
03	CENTER PIN	Be.Cu	GOLD	1
02	INSULATOR A	TEFLON	NONE	1
01	BODY	BRASS	GOLD	1
NO	DESCRIPTION	MATERIAL	FINISH	Q'TY

TITLE		DRAWN BY:		CHK'D BY:		REVISION	
SMA(F)ra crimp for 1.13 cable		Kelly		Eileen		REV.	
DWG NO. C02BA31113033A		2024/01/09		2024/01/09		1.10	
CUST. P/N: N/A DWG NO: N/A		GENERAL TOLERANCES		DRAWN BY:		CHK'D BY:	
SHEET 1 of 1 Unit: mm		.X ±0.2 .XX ±0.2 .XXX ±0.2 ANGLES N/A		Eileen		REV.	
		DA2312250023		2024/01/09		1.10	

