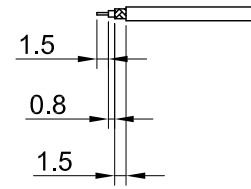
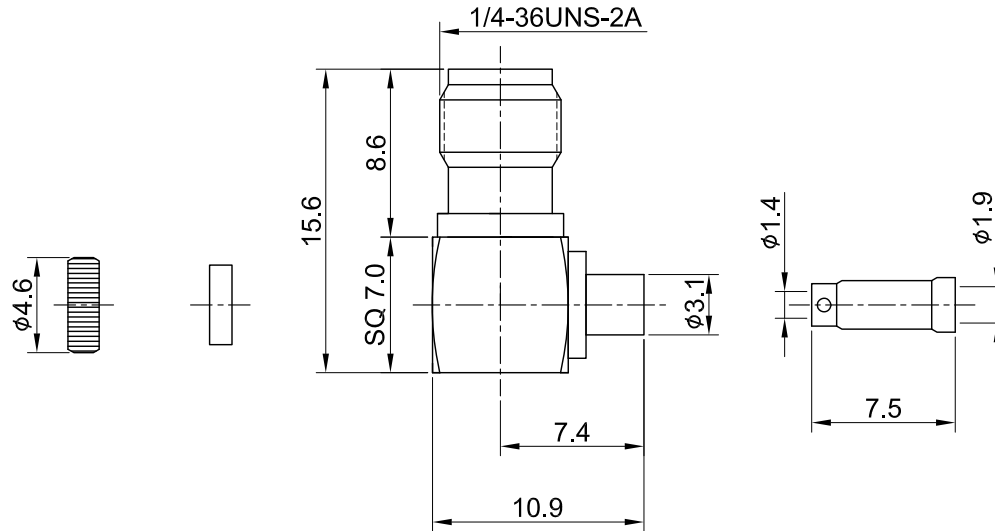


REV	DESCRIPTION	DATE
1.00	INITIAL DESIGN	2015/07/29
1.10	NEW DRAWING FRAME	2024/01/09



RECOMMENDED STRIP LENGTHS



MECHANICAL DATA
 DURABILITY : 500 CYCLES
 TEMPERATURE RANGE : -65°C ~ + 165°C

ELECTRICAL DATA
 FREQUENCY RANGE: DC~6GHz
 IMPEDANCE : 50Ω
 VSWR : 1.5 MAX.
 WORKING VOLTAGE : AC 170V
 WITHSTANDING VOLTAGE : AC 500V
 INSULATION RESISTANCE : 5000 MΩ MIN

06	CAP	BRASS	GOLD	1
05	SLEEVE	BRASS	NICKEL	1
04	INSULATOR B	TEFLON	NONE	1
03	CENTER PIN	Be.Cu	GOLD	1
02	INSULATOR A	TEFLON	NONE	1
01	BODY	BRASS	GOLD	1
NO	DESCRIPTION	MATERIAL	FINISH	Q'TY

TITLE		DRAWN BY:		CHK'D BY:		REVISION	
SMA(F)ra. crimp for RG178		Kelly		Eileen		REV.	
DWG NO. C02BA31178033A		2024/01/09		2024/01/09		1.10	
CUST. P/N: N/A DWG NO: N/A		DA2312250025		Unit: mm			



GENERAL TOLERANCES		ANGLES	
.X	±0.2		
.XX	±0.2		
.XXX	±0.2		
ANGLES	N/A		