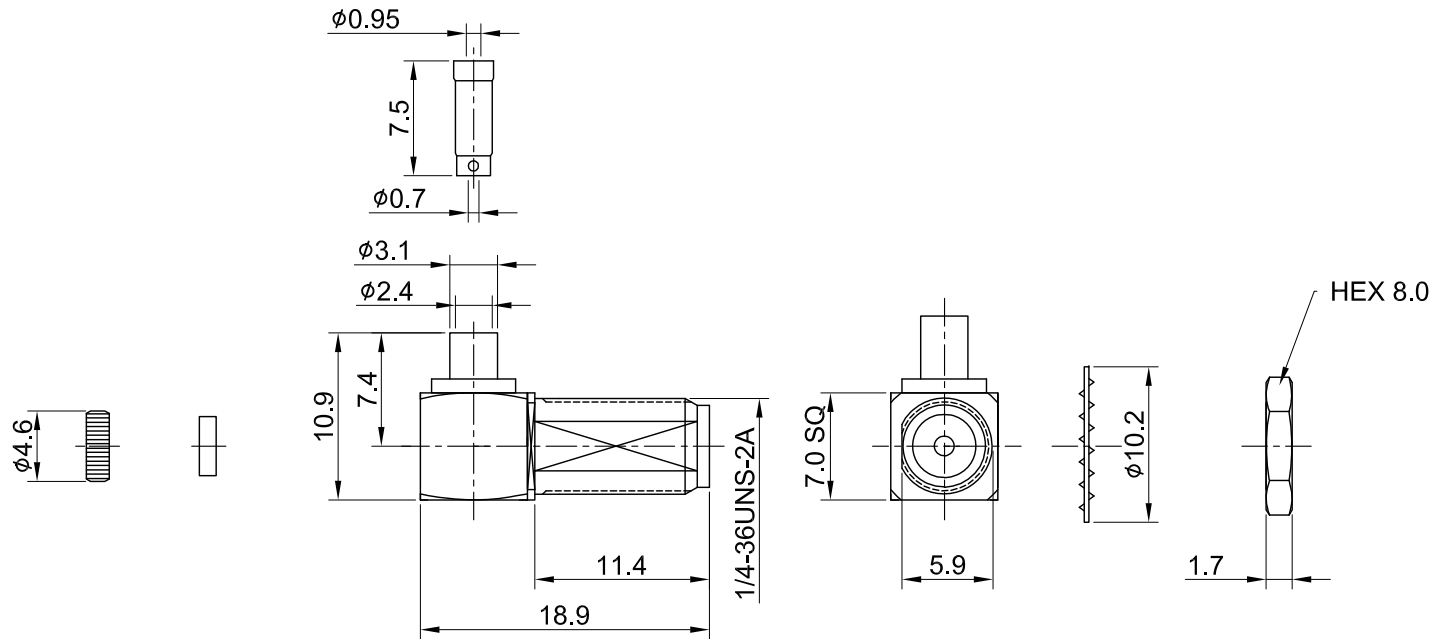
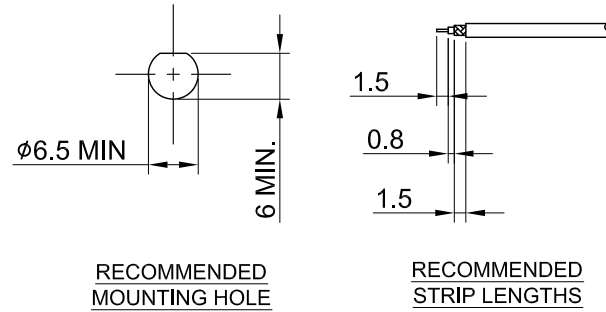


REV	DESCRIPTION	DATE
1.01	ADD 1/4-36UNS-2A	2017/12/13
1.10	NEW DRAWING FRAME	2024/01/05



MECHANICAL DATA  
 DURABILITY : 500 CYCLES  
 TEMPERATURE RANGE : -65°C ~ + 165°C

ELECTRICAL DATA  
 FREQUENCY RANGE: DC~6GHz  
 IMPEDANCE : 50Ω  
 VSWR : 1.5 MAX.  
 WORKING VOLTAGE : AC 170V  
 WITHSTANDING VOLTAGE : AC 500V  
 INSULATION RESISTANCE : 5000 MΩ MIN

08	INSULATOR CAP	TEFLON	NONE	1	TITLE SMA(F) ra. bh. w/D-flat for 0.81mm cable			
07	SLEEVE	BRASS	NICKEL	1				
06	NUT	BRASS	GOLD	1				
05	WASHER	BRASS	GOLD	1	DWG NO. C02BB31081017			
04	CAP	BRASS	GOLD	1				
03	CENTER PIN	Be.Cu	GOLD	1	CUST. P/N: N/A DWG NO: N/A	GENERAL TOLERANCES .X ±0.2 .XX ±0.2 .XXX ±0.2 ANGLES N/A	DRAWN BY: Kelly 2024/01/05	
02	INSULATOR	TEFLON	NONE	1			CHK'D BY: Eileen 2024/01/05	
01	BODY	BRASS	GOLD	1				REV. 1.10
NO	DESCRIPTION	MATERIAL	FINISH	Q'TY	SHEET 1 of 1	Unit: mm	DA2312250030	

