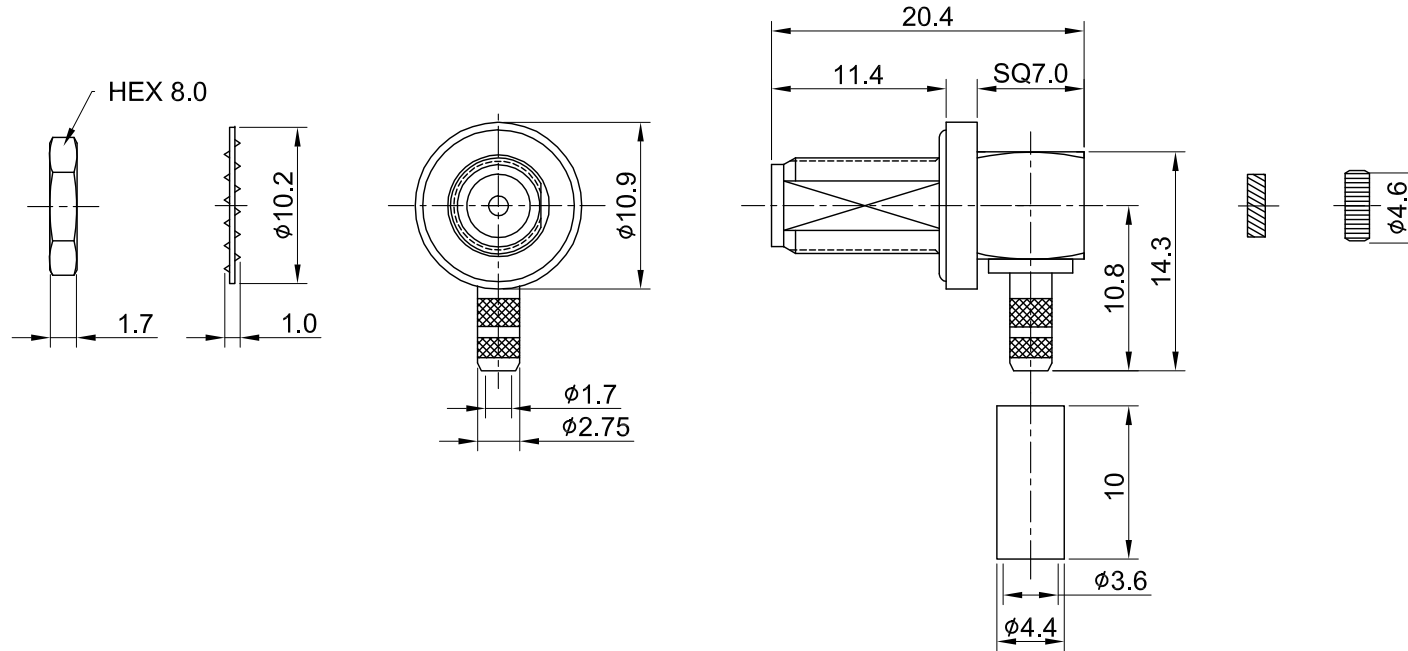
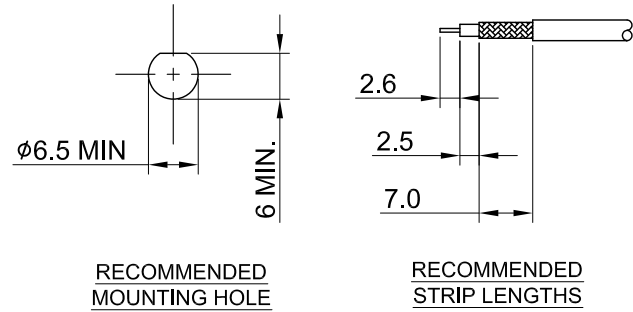


REV	DESCRIPTION	DATE
1.00	INITIAL DESIGN	2022/12/09
1.10	NEW DRAWING FRAME	2024/03/13



MECHANICAL DATA  
 DURABILITY : 500 CYCLES  
 TEMPERATURE RANGE : -65°C ~ + 165°C

ELECTRICAL DATA  
 FREQUENCY RANGE: DC~6GHz  
 IMPEDANCE : 50Ω  
 VSWR : 1.5 MAX.  
 WORKING VOLTAGE : AC 375V  
 WITHSTANDING VOLTAGE : AC 750V  
 INSULATION RESISTANCE : 5000 MΩ MIN

09	O RING	SILICONE RUBBER	RED	1
08	INSULATOR B	TEFLON	NONE	1
07	FERRULE	BRASS	GOLD	1
06	NUT	BRASS	GOLD	1
05	WASHER	BRASS	GOLD	1
04	CAP	BRASS	GOLD	1
03	CENTER PIN	Be.Cu	GOLD	1
02	INSULATOR A	TEFLON	NONE	1
01	BODY	BRASS	GOLD	1
NO	DESCRIPTION	MATERIAL	FINISH	Q'TY

TITLE  
 SMA(F) ra. bh.w/o-ring crimp for RD316, thread length 11.4mm

DWG NO.  
 C02BD31316D73-1A

CUST.  
 P/N: N/A  
 DWG NO: N/A

SHEET 1 of 1 Unit: mm



**Wellshow**

GENERAL TOLERANCES

.X ±0.2  
 .XX ±0.2  
 .XXX ±0.2  
 ANGLES N/A

DRAWN BY: Kelly 2024/03/13

CHK'D BY: Una 2024/03/13

REV.  
 1.10

DA2401180011