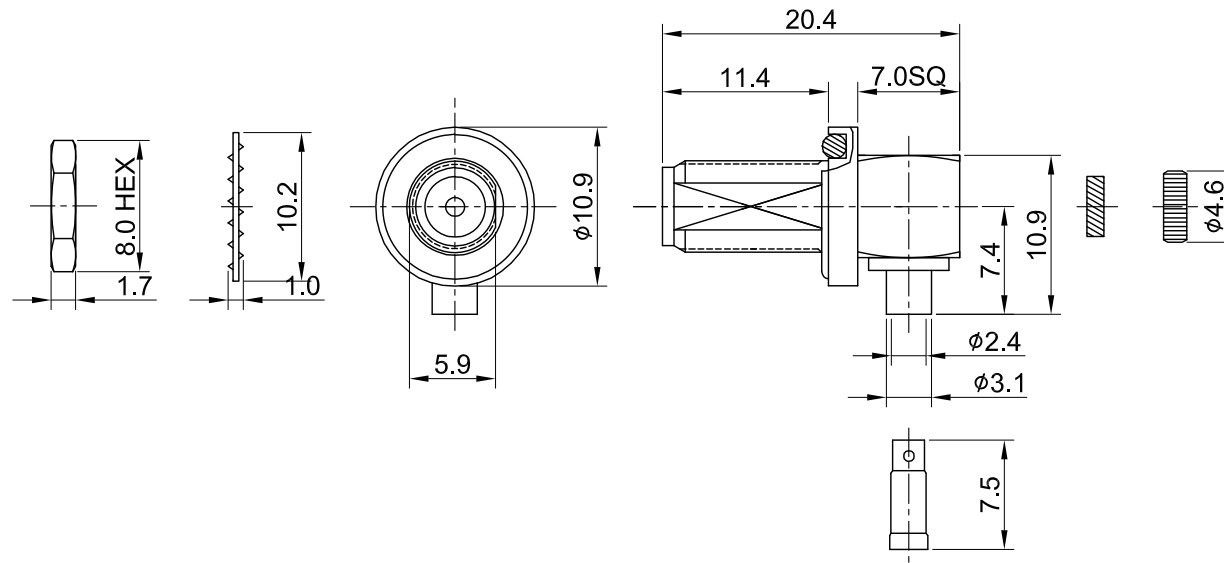
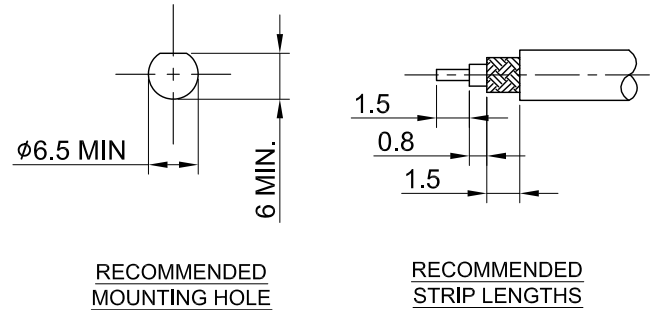


REV	DESCRIPTION	DATE
1.10	NEW DRAWING FRAME	2014/12/08
1.11	CORRECT INSULATION RESISTANCE UNIT	2023/08/15



MECHANICAL DATA  
 DURABILITY : 500 CYCLES  
 TEMPERATURE RANGE : -65°C ~ + 165°C

ELECTRICAL DATA  
 FREQUENCY RANGE: DC~6GHZ  
 IMPEDANCE : 50Ω  
 VSWR : 1.5 MAX.  
 WORKING VOLTAGE : AC 170V  
 WITHSTANDING VOLTAGE : AC 500V  
 INSULATION RESISTANCE : 5000 MΩ MIN

09	O RING	SILICONE RUBBER	RED	1
08	INSULATOR B	TEFLON	NONE	1
07	SLEEVE	BRASS	NICKEL	1
06	NUT	BRASS	GOLD	1
05	WASHER	BRASS	GOLD	1
04	CAP	BRASS	GOLD	1
03	INSULATOR A	TEFLON	NONE	1
02	CENTER PIN	Be.Cu	GOLD	1
01	BODY	BRASS	GOLD	1
NO	DESCRIPTION	MATERIAL	FINISH	Q'TY

TITLE		SMA(F) ra. bh. w.oring for 1.32 (thread 11.4mm)	
DWG NO.		C02BD31132073-1	
CUST.		N/A	
P/N:		N/A	
DWG NO:		N/A	
SHEET 1 of 1		Unit: mm	
GENERAL TOLERANCES		DRAWN BY: Kelly 2024/03/08	
.X ±0.2		CHK'D BY: Una 2024/03/08	
.XX ±0.2		REV.	
.XXX ±0.2		DA2401180007	
ANGLES N/A		1.11	

