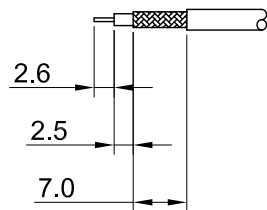
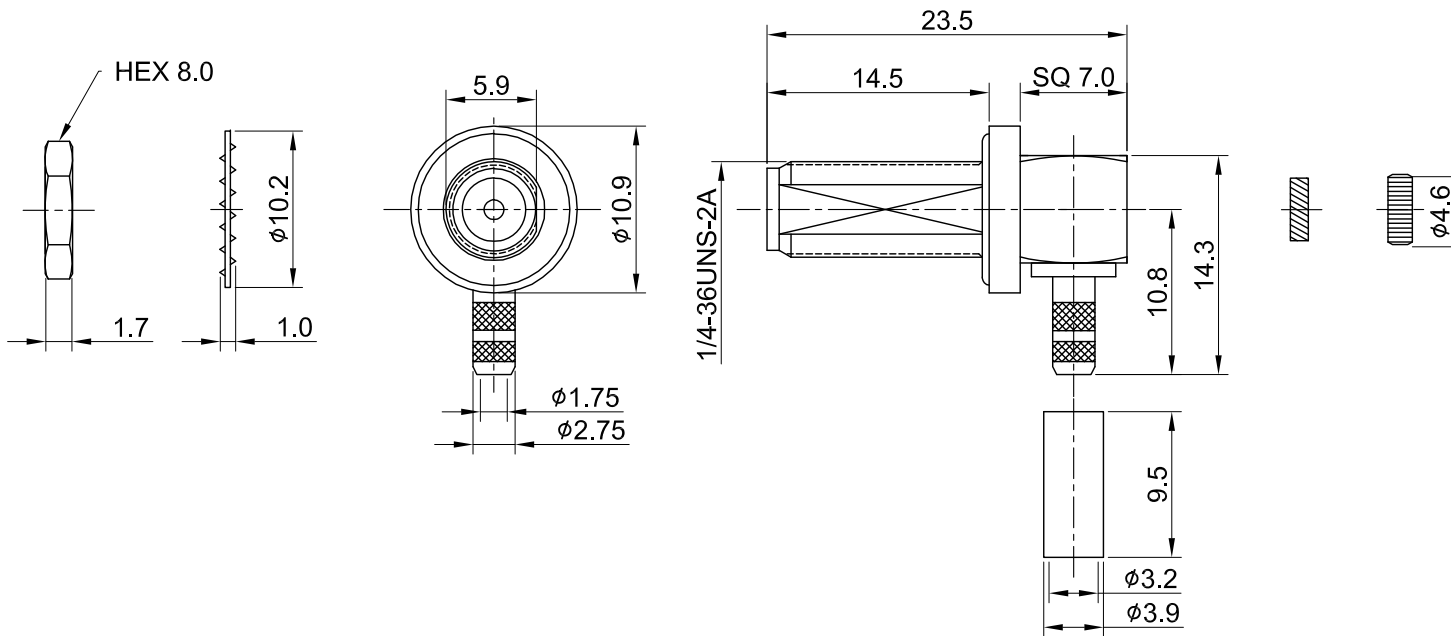


REV	DESCRIPTION	DATE
1.11	ADD ORING COLOR, CORRECT FULL MATERIAL NAME SILICON RUBBER	2021/08/20
1.20	NEW DRAWING FRAME	2024/03/13



RECOMMENDED STRIP LENGTHS



MECHANICAL DATA  
 DURABILITY : 500 CYCLES  
 TEMPERATURE RANGE : -65°C ~ + 165°C

ELECTRICAL DATA  
 FREQUENCY RANGE: DC~6GHz  
 IMPEDANCE : 50Ω  
 VSWR : 1.5 MAX.  
 WORKING VOLTAGE : AC 375V  
 WITHSTANDING VOLTAGE : AC 750V  
 INSULATION RESISTANCE : 5000 MΩ MIN

09	O RING	SILICONE RUBBER	RED	1
08	INSULATOR B	TEFLON	NONE	1
07	FERRULE	BRASS	GOLD	1
06	NUT	BRASS	GOLD	1
05	WASHER	BRASS	GOLD	1
04	CAP	BRASS	GOLD	1
03	CENTER PIN	Be.Cu	GOLD	1
02	INSULATOR A	TEFLON	NONE	1
01	BODY	BRASS	GOLD	1
NO	DESCRIPTION	MATERIAL	FINISH	Q'TY

TITLE  
 SMA(F) ra. bh.w/o-ring crimp for RG174, thread length 14.5mm, one D-flat

DWG NO.  
 C02BD31174073-2A

CUST.  
 P/N: N/A  
 DWG NO: N/A

SHEET 1 of 1 Unit: mm



GENERAL TOLERANCES	DRAWN BY: Kelly	2024/03/13
.X ±0.2	CHK'D BY: Una	2024/03/13
.XX ±0.2		
.XXX ±0.2		
ANGLES N/A		
	DA2401180010	REV. 1.20