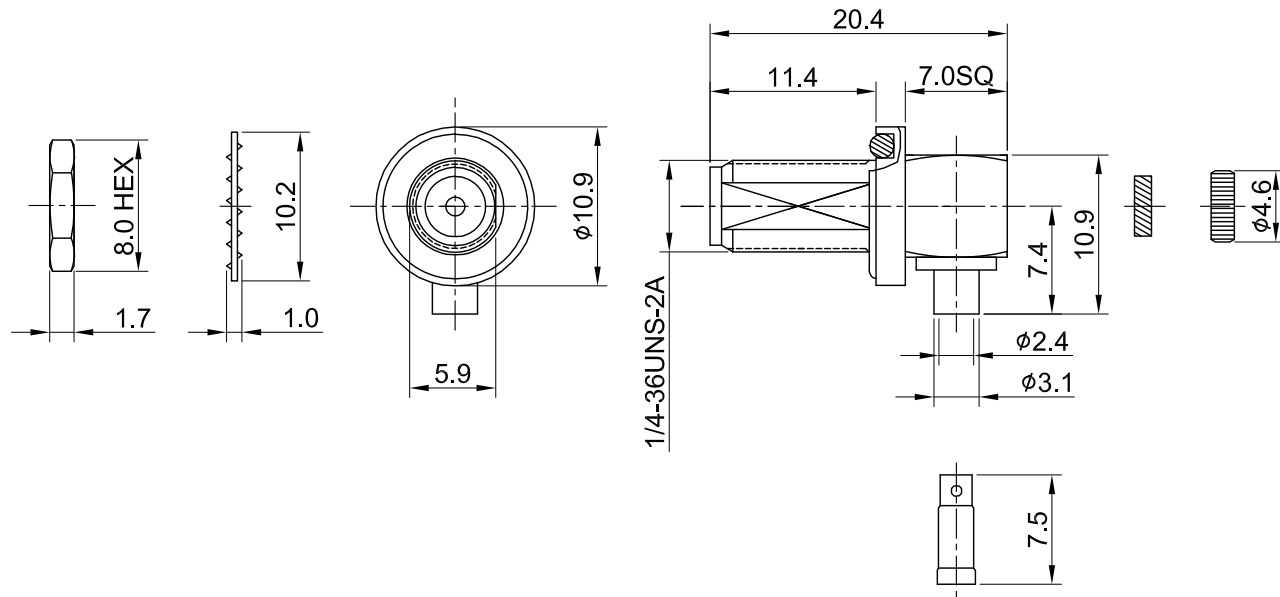
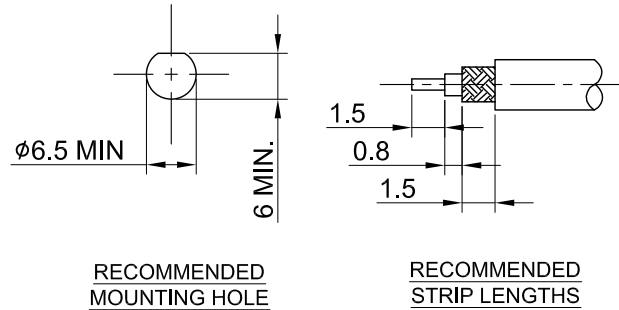


REV	DESCRIPTION	DATE
1.00	INITIAL DESIGN	2018/08/24
1.10	NEW DRAWING FRAME	2023/11/02



MECHANICAL DATA
 DURABILITY : 500 CYCLES
 TEMPERATURE RANGE : -65°C ~ + 165°C

ELECTRICAL DATA
 FREQUENCY RANGE: DC~6GHz
 IMPEDANCE : 50Ω
 VSWR : 1.5 MAX.
 WORKING VOLTAGE : AC 170V
 WITHSTANDING VOLTAGE : AC 500V
 INSULATION RESISTANCE : 5000 MΩ MIN

09	O RING	SILICONE RUBBER	NONE	1
08	INSULATOR B	TEFLON	NONE	1
07	SLEEVE	BRASS	NICKEL	1
06	SASHER	BRASS	GOLD	1
05	NUT	BRASS	GOLD	1
04	CAP	BRASS	GOLD	1
03	INSULATOR A	TEFLON	NONE	1
02	CENTER PIN	Be.Cu	GOLD	1
01	BODY	BRASS	GOLD	1
NO	DESCRIPTION	MATERIAL	FINISH	Q'TY

TITLE		DRAWN BY: Kelly		2023/11/02
SMA(F) ra. bh. w.oring for RG178 (thread 11.4mm)		CHK'D BY: Maria		2023/11/02
DWG NO. C02BD31178073-1		REVISION		1.10
CUST. P/N: N/A		DA2311010016		
DWG NO: N/A				
SHEET 1 of 1		Unit: mm		



GENERAL TOLERANCES		REVISION	
.X	±0.2	DA2311010016	1.10
.XX	±0.2		
.XXX	±0.2		
ANGLES	N/A		