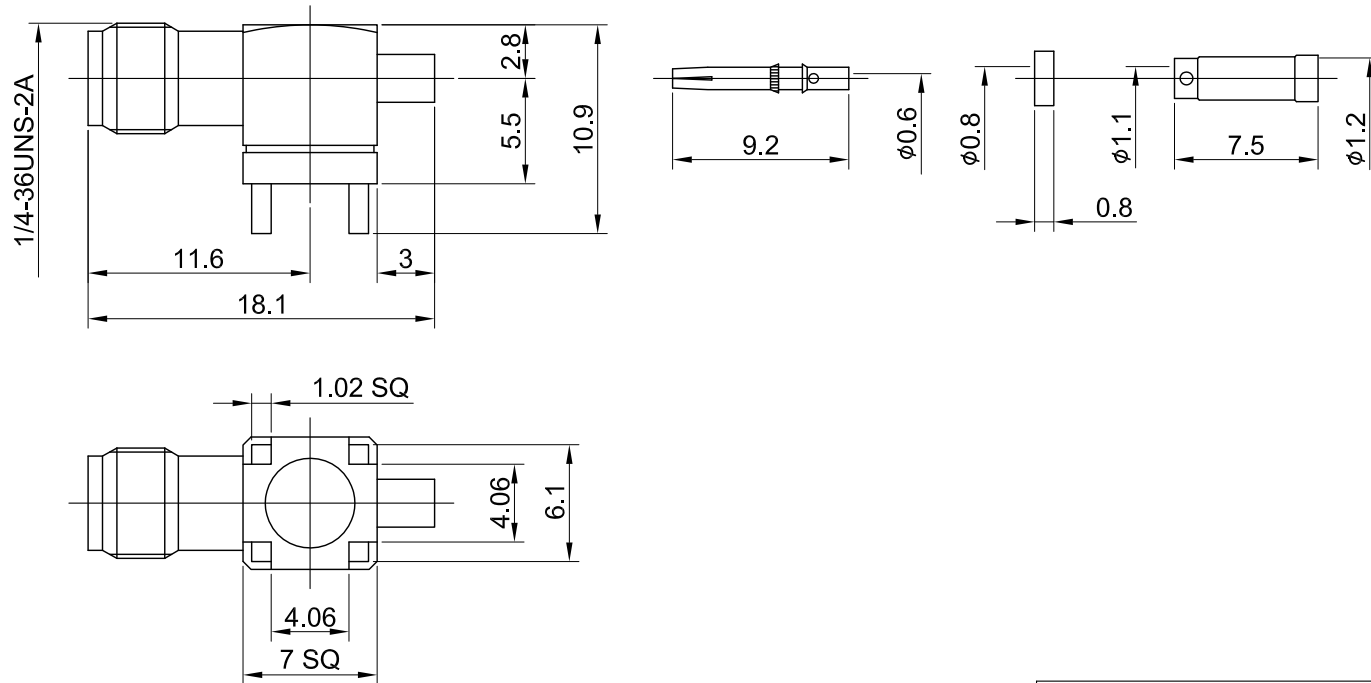
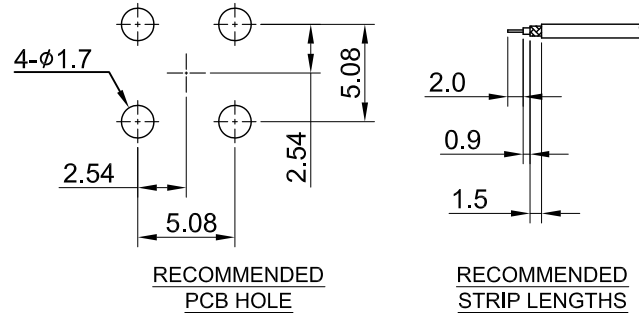


REV	DESCRIPTION	DATE
2.00	CHG SLEEVE FINISH NICKEL W. ALBALOY	2012/05/29
2.10	NEW DRAWING FRAME	2023/12/28



MECHANICAL DATA
 DURABILITY : 500 CYCLES
 TEMPERATURE RANGE : -65°C ~ + 165°C

ELECTRICAL DATA
 FREQUENCY RANGE: DC~6GHz
 IMPEDANCE : 50 Ω
 VSWR : 1.5 MAX.
 WORKING VOLTAGE : AC 170V
 WITHSTANDING VOLTAGE : AC 500V
 INSULATION RESISTANCE : 5000 M Ω MIN

05	SLEEVE	BRASS	NICKEL	1
04	INSULATOR B	TEFLON	NONE	1
03	CENTER PIN	Be.Cu	GOLD	1
02	INSULATOR A	TEFLON	NONE	1
01	BODY	BRASS	GOLD	1
NO	DESCRIPTION	MATERIAL	FINISH	Q'TY

TITLE		DRAWN BY: Kelly		2023/12/28	
SMA(F) st. PCB crimp type for 1.13		CHK'D BY: Chilli		2023/12/28	
DWG NO. C02BI31113015B		CUST. P/N: N/A		DWG NO: N/A	
SHEET 1 of 1		Unit: mm		DA2312260039	
GENERAL TOLERANCES		DRAWN BY: Kelly		2023/12/28	
.X \pm 0.2		CHK'D BY: Chilli		2023/12/28	
.XX \pm 0.2		REVISION		REV. 2.10	
.XXX \pm 0.2		DA2312260039			
ANGLES N/A					

