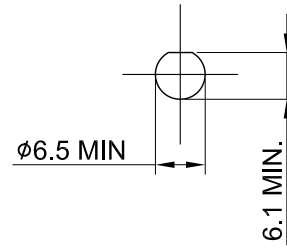
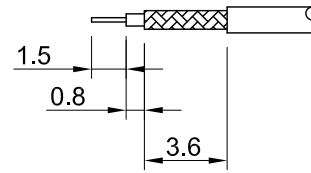


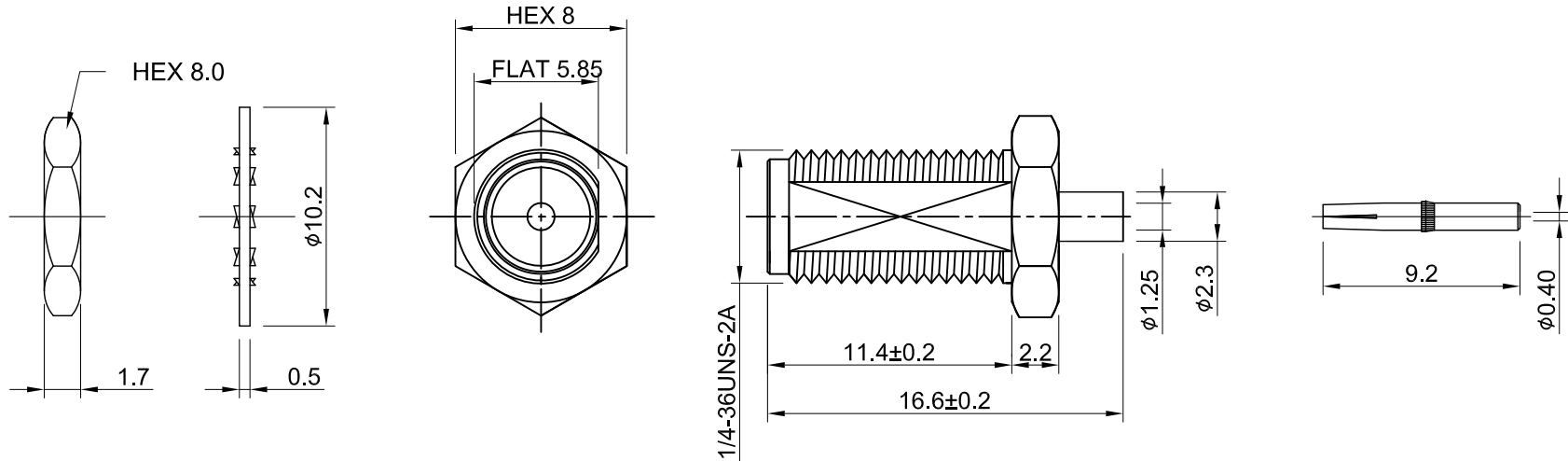
REV	DESCRIPTION	DATE
1.10	UPDATE BODY	2021/08/09
1.20	NEW DRAWING FRAME	2024/08/05



RECOMMENDED MOUNTING HOLE



RECOMMENDED STRIP LENGTHS



MECHANICAL DATA  
 DURABILITY : 100 CYCLES  
 TEMPERATURE RANGE : -65°C ~ + 165°C

ELECTRICAL DATA  
 FREQUENCY RANGE: DC~6GHZ  
 IMPEDANCE : 50Ω  
 VSWR : 1.5 MAX.  
 WORKING VOLTAGE : AC 500V  
 WITHSTANDING VOLTAGE : AC 500V  
 INSULATION RESISTANCE : 5000 MΩ MIN

TITLE  
 SMA(F) bh. 11.4mm, panel T2.2 for 1.13, 6GHz

05	CENTER PIN	P.BRONZE	GOLD	1
04	INSULATOR	TEFLON	NONE	1
03	BODY	BRASS	GOLD	1
02	WASHER	BRASS	GOLD	1
01	NUT	BRASS	GOLD	1
NO	DESCRIPTION	MATERIAL	FINISH	Q'TY

DWG NO.	C02ABWS113003Q
CUST. P/N:	N/A
DWG NO:	N/A
SHEET	1 of 1
Unit:	mm

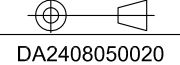
GENERAL TOLERANCES

.X	±0.2
.XX	±0.2
.XXX	±0.2
ANGLES	N/A

DRAWN BY: Kelly 2024/08/05

CHK'D BY: Eileen 2024/08/05

REV. 1.20



DA2408050020