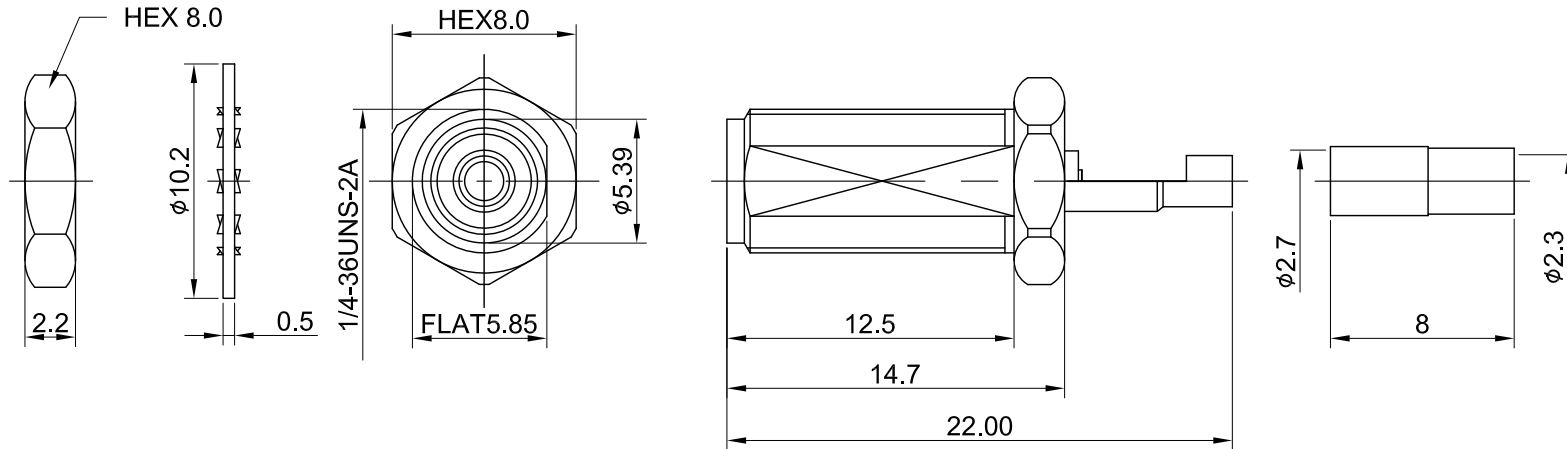
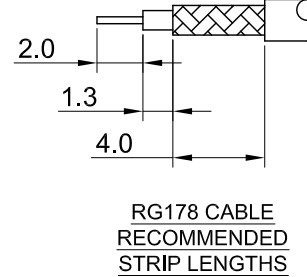
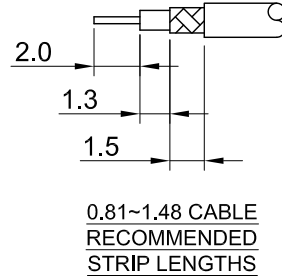
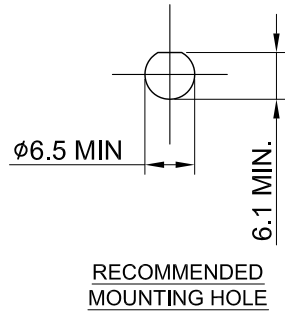


REV	DESCRIPTION	DATE
2.11	CHG 2.0 W. 1.2	2021/09/13
2.20	NEW DRAWING FRAME	2024/08/05



MECHANICAL DATA
 DURABILITY : 100 CYCLES
 TEMPERATURE RANGE : -65°C ~ + 165°C

ELECTRICAL DATA
 FREQUENCY RANGE: DC~3GHZ
 IMPEDANCE : 50Ω
 VSWR : 1.5 MAX.
 WORKING VOLTAGE : AC 500V
 WITHSTANDING VOLTAGE : AC 500V
 INSULATION RESISTANCE : 5000 MΩ MIN

06	FERRULE	BRASS	GOLD	1
05	CENTER PIN	P.BRONZE	GOLD	1
04	INSULATOR	TEFLON	NONE	1
03	BODY	BRASS	GOLD	1
02	WASHER	BRASS	GOLD	1
01	NUT	BRASS	GOLD	1
NO	DESCRIPTION	MATERIAL	FINISH	Q'TY

TITLE		DRAWN BY: Kelly		2024/08/05									
SMA(F) bh. thread L12.5mm, Nut T2.2mm for 0.81~RG178		CHK'D BY: Eileen		2024/08/05									
DWG NO. C02ABWS178003J-1		CUST. P/N: N/A		REV. 2.20									
DWG NO: N/A		SHEET 1 of 1		Unit: mm									
<table border="0"> <tr> <td>GENERAL TOLERANCES</td> <td>±0.2</td> </tr> <tr> <td>.XX</td> <td>±0.2</td> </tr> <tr> <td>.XXX</td> <td>±0.2</td> </tr> <tr> <td>ANGLES</td> <td>N/A</td> </tr> </table>		GENERAL TOLERANCES	±0.2	.XX	±0.2	.XXX	±0.2	ANGLES	N/A				
GENERAL TOLERANCES	±0.2												
.XX	±0.2												
.XXX	±0.2												
ANGLES	N/A												
DA2408050021													