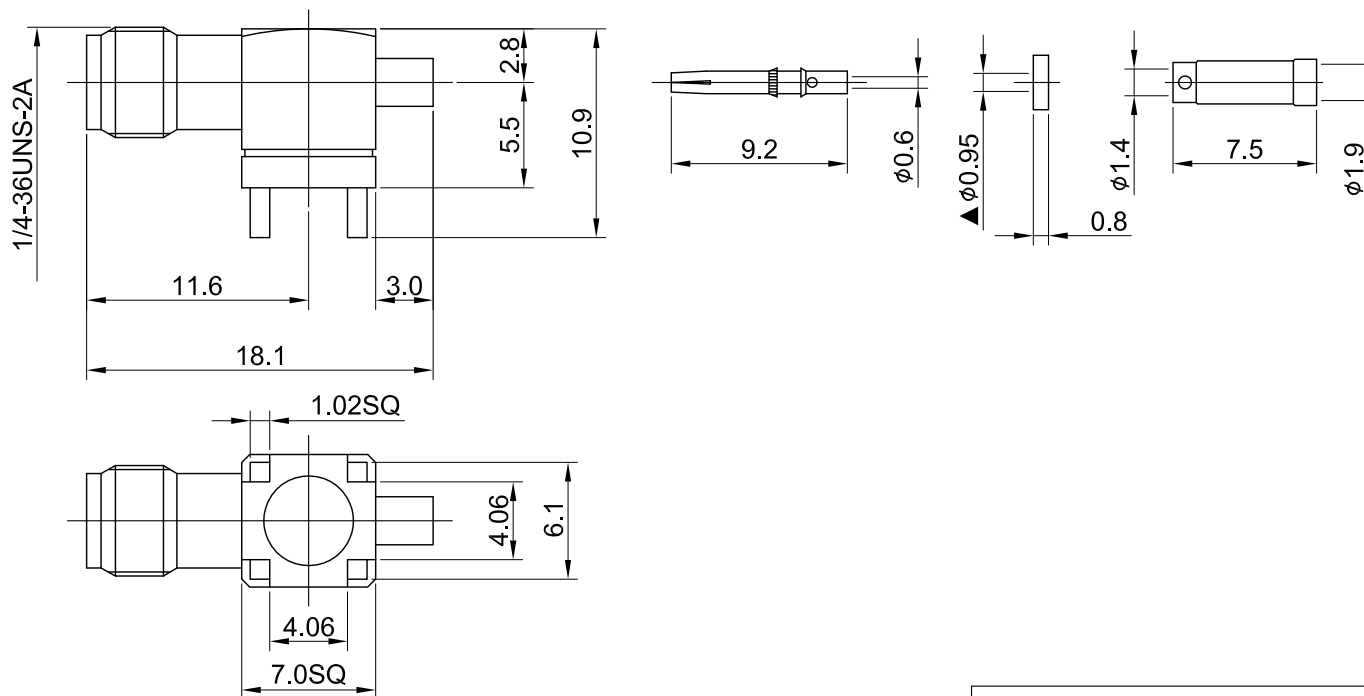
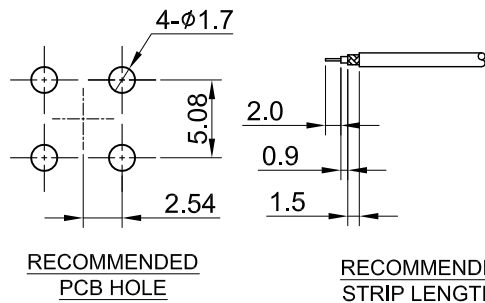


REV	DESCRIPTION	DATE
2.00	CHG SLEEVE FINISH NICKEL W. ALBALOY	2012/05/29
2.10	CORRECT DIM $\phi 0.95$ W. $\phi 0.9$	2024/02/16




MECHANICAL DATA
 DURABILITY : 500 CYCLES
 TEMPERATURE RANGE : -65°C ~ + 165°C

ELECTRICAL DATA
 FREQUENCY RANGE: DC~6GHz
 IMPEDANCE : 50 Ω
 VSWR : 1.5 MAX.
 WORKING VOLTAGE : AC 170V
 WITHSTANDING VOLTAGE : AC 500V
 INSULATION RESISTANCE : 5000 M Ω MIN

TITLE
 SMA(F) st. PCB crimp for RG178


05	INSULATOR B	TEFLON	NONE	1
04	SLEEVE	BRASS	NICKEL	1
03	INSULATOR A	TEFLON	NONE	1
02	PIN	Be Cu	GOLD	1
01	BODY	BRASS	GOLD	1
NO	DESCRIPTION	MATERIAL	FINISH	Q'TY

DWG NO. C02BI31178015B
CUST. P/N: N/A DWG NO: N/A
SHEET 1 of 1 Unit: mm

 **Wellshow**

GENERAL TOLERANCES
 .X ± 0.2
 .XX ± 0.2
 .XXX ± 0.2
 ANGLES N/A

DRAWN BY: Lottie 2024/02/16
 CHK'D BY: Kelly 2024/02/16

 REV. 2.10

DA2401080001