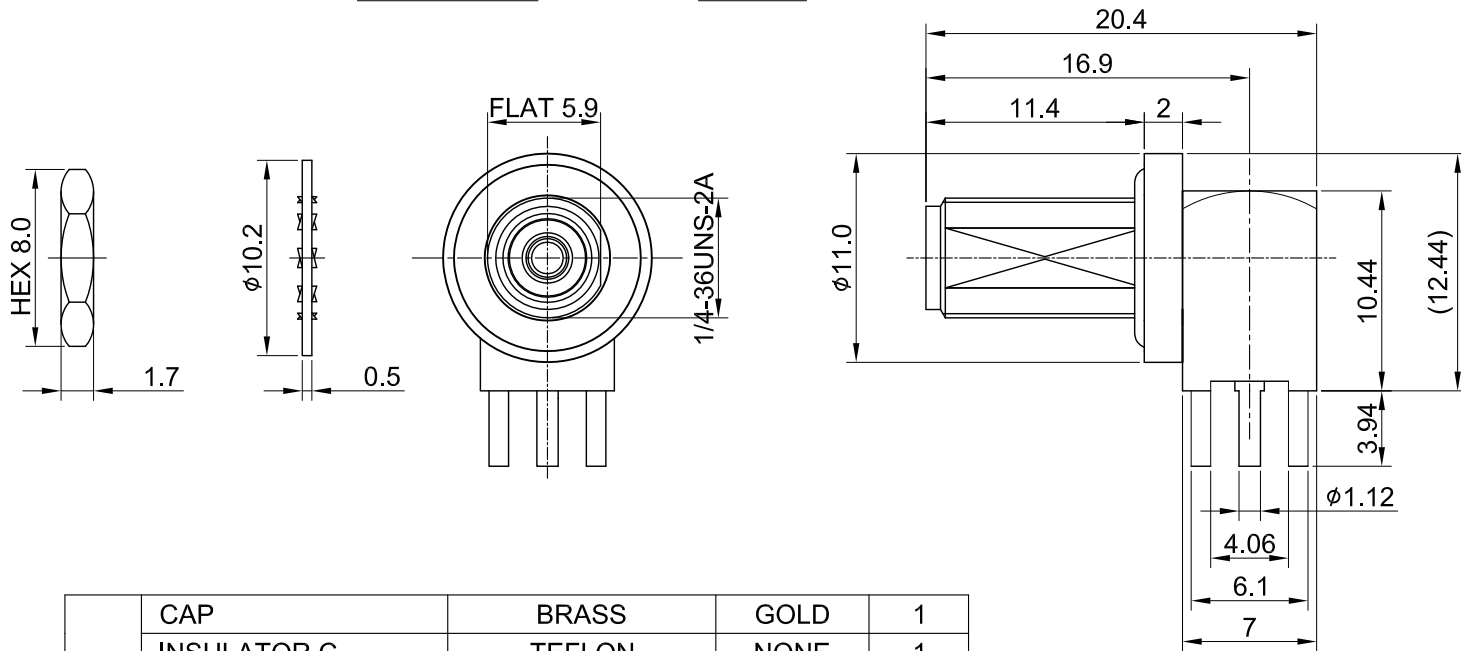
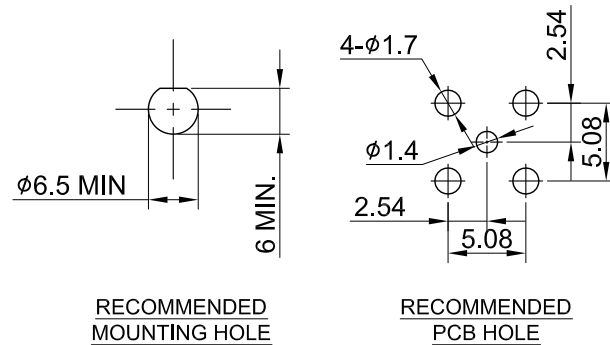


REV	DESCRIPTION	DATE
1.20	NEW DRAWING FRAME	2023/09/07
1.21	CORRECT INSULATION RESISTANCE UNIT	2024/07/29



MECHANICAL DATA  
 DURABILITY : 500 CYCLES  
 TEMPERATURE RANGE : -65°C ~ + 165°C

ELECTRICAL DATA  
 FREQUENCY RANGE: DC~6GHZ  
 IMPEDANCE : 50Ω  
 VSWR : 1.5 MAX.  
 WORKING VOLTAGE : AC 500V  
 WITHSTANDING VOLTAGE : AC 1000V  
 INSULATION RESISTANCE : 5000 MΩ MIN

NOTE  
 SPQ = 160 PCS/TRAY  
 PRESS THE ORING FULLY AND TIGHTLY FOR WATERPROOF.

03	CAP	BRASS	GOLD	1
	INSULATOR C	TEFLON	NONE	1
	O RING	SILICONE RUBBER	RED	1
	INSULATOR B	TEFLON	NONE	1
	GASKET	SILICONE RUBBER	RED	1
	PIN B	BRASS	GOLD	1
	PIN A	Be.Cu	GOLD	1
	INSULATOR A	TEFLON	NONE	1
	BODY B	BRASS	GOLD	1
BODY A	BRASS	GOLD	1	
02	WASHER	BRASS	GOLD	1
01	NUT	BRASS	GOLD	1
NO	DESCRIPTION	MATERIAL	FINISH	Q'TY

TITLE		SMA(F) ra. bh. wOring PCB type, 5psi	
DWG NO.		C02BOWS02T	
CUST. P/N:		N/A	
DWG NO:		N/A	
SHEET 1 of 1		Unit: mm	
GENERAL TOLERANCES		DRAWN BY: Kelly 2024/07/29	
.X ±0.2		CHK'D BY: Mindy 2024/07/29	
.XX ±0.2		REV.	
.XXX ±0.2		DA2407290014	
ANGLES N/A		1.21	

