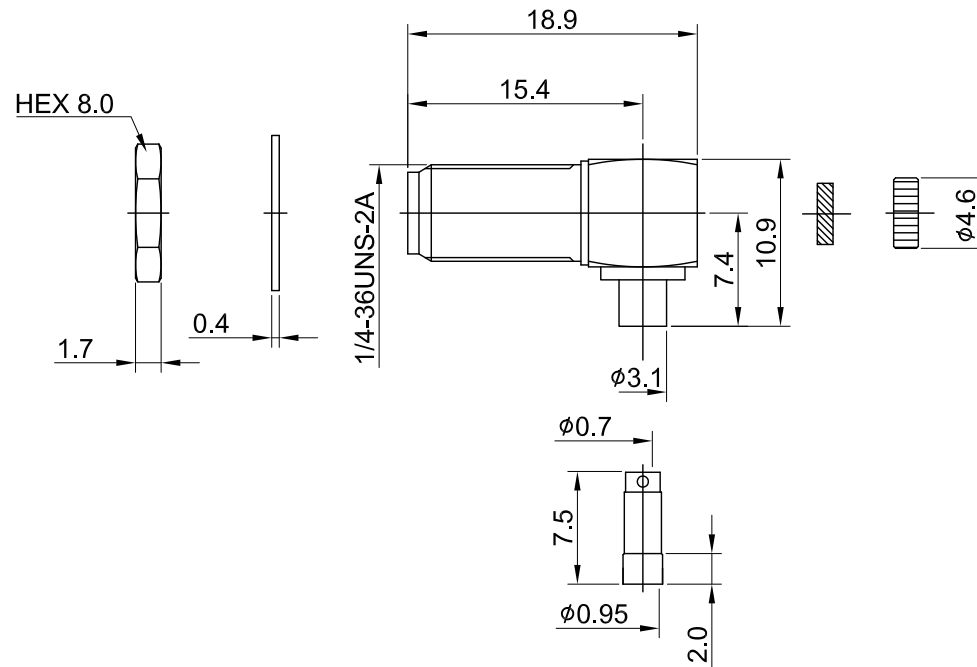
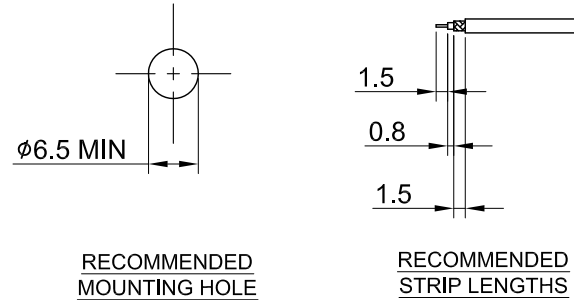


REV	DESCRIPTION	DATE
3.01	CHG DIM 2.0 W. 1.1	2013/05/10
3.10	NEW DRAWING FRAME	2024/01/17
3.20	ADD RECOMMENDED MOUNTING HOLE	2024/08/07



MECHANICAL DATA  
 DURABILITY : 500 CYCLES  
 TEMPERATURE RANGE : -65°C ~ + 165°C

ELECTRICAL DATA  
 FREQUENCY RANGE: DC~6GHz  
 IMPEDANCE : 50Ω  
 VSWR : 1.5 MAX.  
 WORKING VOLTAGE : AC 170V  
 WITHSTANDING VOLTAGE : AC 500V  
 INSULATION RESISTANCE : 5000 MΩ MIN

08	INSULATOR B	TEFLON	NONE	1	TITLE SMA ra. bulk Jack crimp for 0.81	
07	SLEEVE	BRASS	NICKEL	1		
06	NUT	BRASS	GOLD	1		
05	WASHER	BRASS	GOLD	1	DWG NO. C02BS31081017	
04	CAP	BRASS	GOLD	1		
03	CENTER PIN	Be.Cu	GOLD	1	CUST. P/N: N/A DWG NO: N/A	
02	INSULATOR A	TEFLON	NONE	1		
01	BODY	BRASS	GOLD	1	 GENERAL TOLERANCES .X ±0.2 .XX ±0.2 .XXX ±0.2 ANGLES N/A	
NO	DESCRIPTION	MATERIAL	FINISH	Q'TY		
					DRAWN BY: Kelly 2024/08/07	
					CHK'D BY: Eileen 2024/08/07	
					 REV. DA2408070012 3.20	