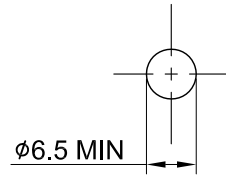
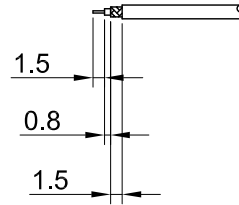


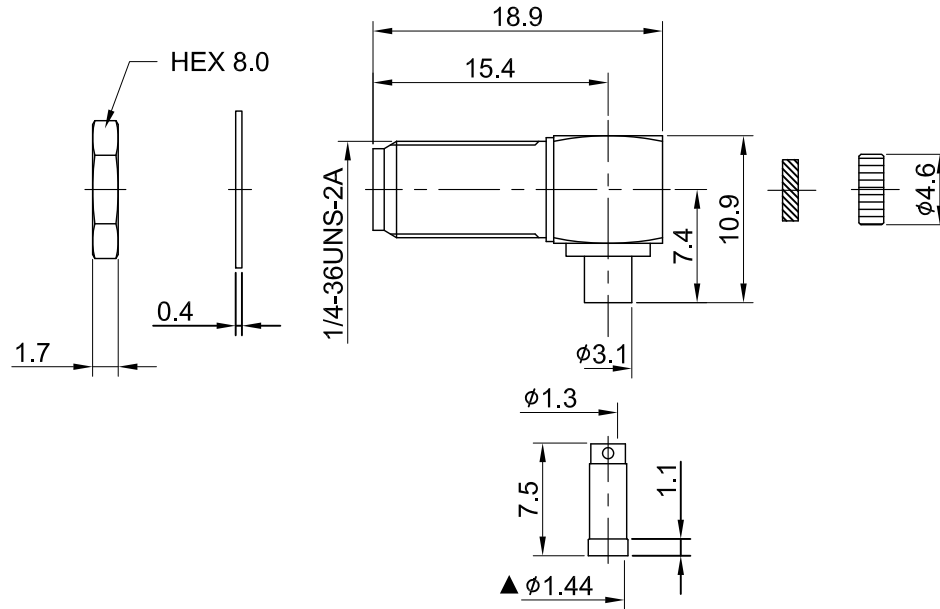
REV	DESCRIPTION	DATE
3.00	CHG Strip DIM 1.5/0.8/1.5 w. 1.5/3.4/1.5, CHG DIM 10.9/7.4 w. 12.0/8.5, ADD DIM 15.4/1.1/0.4, Take off DIM 11.4/7.0SQ/4.1/φ10.2	2013/03/12
3.10	CORRECT φ1.44 W. φ1.4	2024/01/17



RECOMMENDED MOUNTING HOLE



RECOMMENDED STRIP LENGTHS



MECHANICAL DATA  
 DURABILITY : 500 CYCLES  
 TEMPERATURE RANGE : -65°C ~ + 165°C

ELECTRICAL DATA  
 FREQUENCY RANGE: DC~6GHz  
 IMPEDANCE : 50Ω  
 VSWR : 1.5 MAX.  
 WORKING VOLTAGE : AC 170V  
 WITHSTANDING VOLTAGE : AC 500V  
 INSULATION RESISTANCE : 5000 MΩ MIN

08	INSULATOR B	TEFLON	NONE	1	TITLE SMA(F) ra. bh. crimp for 1.37																
07	SLEEVE	BRASS	NICKEL	1																	
06	NUT	BRASS	GOLD	1	DWG NO. C02BS31137017																
05	WASHER	BRASS	GOLD	1																	
04	CAP	BRASS	GOLD	1	CUST. P/N: N/A DWG NO: N/A																
03	CENTER PIN	Be.Cu	GOLD	1																	
02	INSULATOR A	TEFLON	NONE	1	<table border="0"> <tr> <td>GENERAL TOLERANCES</td> <td>DRAWN BY: Kelly</td> <td>2024/01/17</td> </tr> <tr> <td>.X ±0.2</td> <td>CHK'D BY: David</td> <td>2024/01/17</td> </tr> <tr> <td>.XX ±0.2</td> <td></td> <td></td> </tr> <tr> <td>.XXX ±0.2</td> <td></td> <td></td> </tr> <tr> <td>ANGLES N/A</td> <td></td> <td></td> </tr> </table>		GENERAL TOLERANCES	DRAWN BY: Kelly	2024/01/17	.X ±0.2	CHK'D BY: David	2024/01/17	.XX ±0.2			.XXX ±0.2			ANGLES N/A		
GENERAL TOLERANCES	DRAWN BY: Kelly	2024/01/17																			
.X ±0.2	CHK'D BY: David	2024/01/17																			
.XX ±0.2																					
.XXX ±0.2																					
ANGLES N/A																					
01	BODY	BRASS	GOLD	1	<table border="0"> <tr> <td>REV.</td> </tr> <tr> <td>DA2401020033</td> </tr> </table>		REV.	DA2401020033													
REV.																					
DA2401020033																					
NO	DESCRIPTION	MATERIAL	FINISH	Q'TY	SHEET 1 of 1	Unit: mm															



REV. 3.10