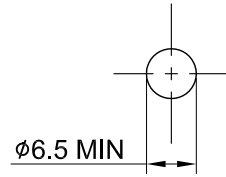
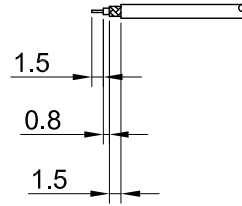


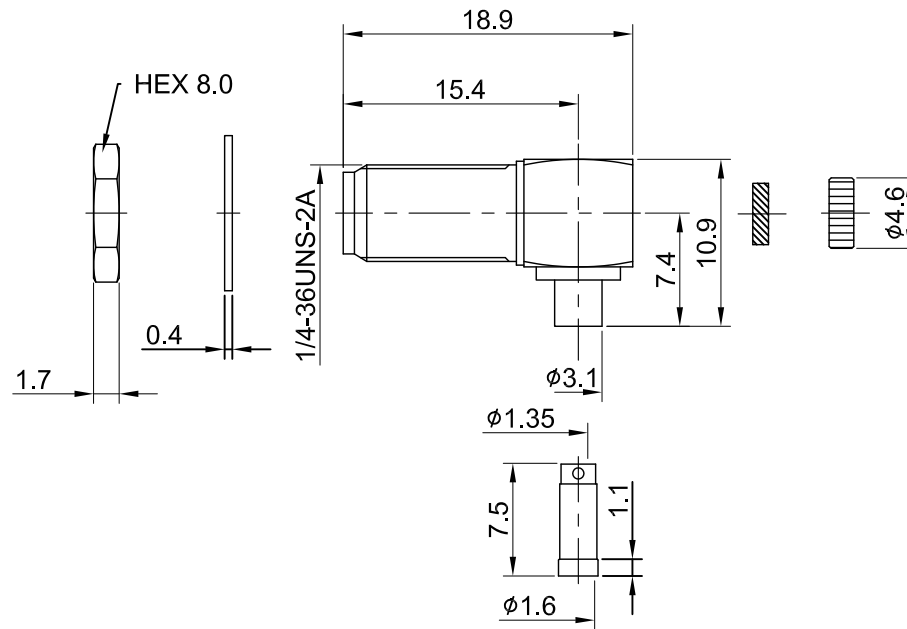
REV	DESCRIPTION	DATE
3.00	CHG Strip DIM 1.5/0.8/1.5 w. 1.5/3.4/1.5, CHG DIM 10.9/7.4 w. 12.0/8.5, ADD DIM 15.4/1.1/0.4, Take off DIM 11.4/7.0SQ/4.1/φ10.2	2013/03/12
3.10	NEW DRAWING FRAME	2024/01/17
3.20	ADD RECOMMENDED MOUNTING HOLE	2024/08/07



RECOMMENDED MOUNTING HOLE



RECOMMENDED STRIP LENGTHS



MECHANICAL DATA
 DURABILITY : 500 CYCLES
 TEMPERATURE RANGE : -65°C ~ + 165°C

ELECTRICAL DATA
 FREQUENCY RANGE: DC~6GHz
 IMPEDANCE : 50Ω
 VSWR : 1.5 MAX.
 WORKING VOLTAGE : AC 170V
 WITHSTANDING VOLTAGE : AC 500V
 INSULATION RESISTANCE : 5000 MΩ MIN

08	INSULATOR B	TEFLON	NONE	1	TITLE SMA(F) ra. bh. for 1.48				
07	SLEEVE	BRASS	NICKEL	1					
06	NUT	BRASS	GOLD	1					
05	WASHER	BRASS	GOLD	1	DWG NO. C02BS31148017				
04	CAP	BRASS	GOLD	1					
03	CENTER PIN	Be.Cu	GOLD	1	CUST. P/N: N/A DWG NO: N/A				
02	INSULATOR A	TEFLON	NONE	1					
01	BODY	BRASS	GOLD	1					
NO	DESCRIPTION	MATERIAL	FINISH	Q'TY	SHEET 1 of 1	Unit: mm	GENERAL TOLERANCES .X ±0.2 .XX ±0.2 .XXX ±0.2 ANGLES N/A	DRAWN BY: Kelly 2024/08/07 CHK'D BY: Eileen 2024/08/07	REV. 3.20



DA2408070014