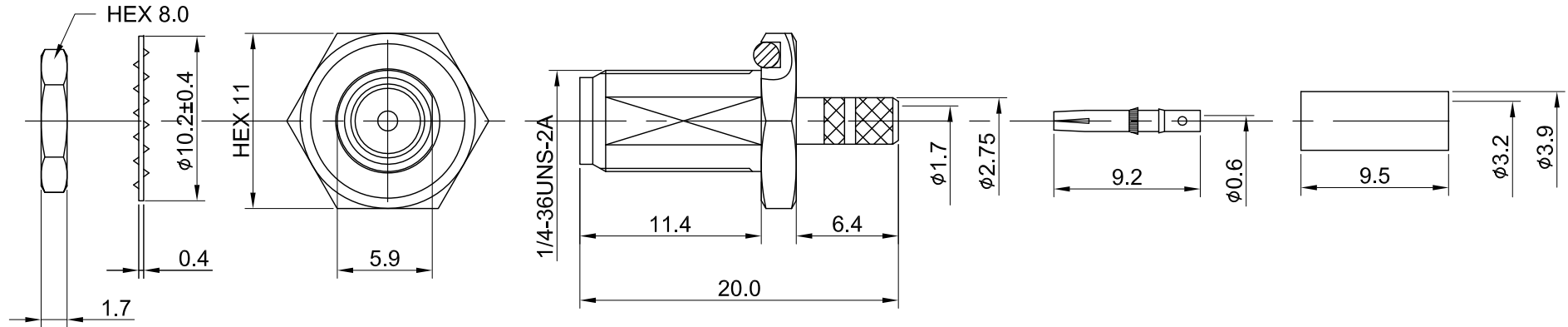
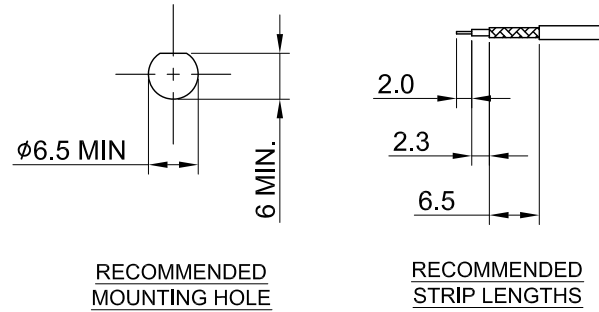


REV	DESCRIPTION	DATE
1.00	INITIAL DESIGN	2024/01/02
1.10	CORRECT FINISH	2024/08/08



MECHANICAL DATA
 DURABILITY : 500 CYCLES
 TEMPERATURE RANGE : -65°C ~ + 165°C

ELECTRICAL DATA
 FREQUENCY RANGE: DC~6GHz
 IMPEDANCE : 50Ω
 VSWR : 1.3 MAX.
 WORKING VOLTAGE : AC 375V
 WITHSTANDING VOLTAGE : AC 750V
 INSULATION RESISTANCE : 5000 MΩ MIN

07	ORING	SILICONE RUBBER	RED	1
06	NUT	BRASS	NICKEL	1
05	WASHER	BRASS	NICKEL	1
04	FERRULE	BRASS	NICKEL	1
03	PIN	Be.Cu	GOLD	1
02	INSULATOR	TEFLON	NONE	1
01	BODY	BRASS	NICKEL	1
NO	DESCRIPTION	MATERIAL	FINISH	Q'TY

TITLE		DRAWN BY: Kelly		2024/08/08
SMA st. bh. jack crimp type for RG174 (Nickel)		CHK'D BY: Eileen		2024/08/08
DWG NO. C02CD31174005C		REVISIONS		REV. 1.10
CUST. P/N: N/A DWG NO: N/A		DA2408080010		
SHEET 1 of 1		Unit: mm		



GENERAL TOLERANCES	
.X	±0.2
.XX	±0.2
.XXX	±0.2
ANGLES	N/A