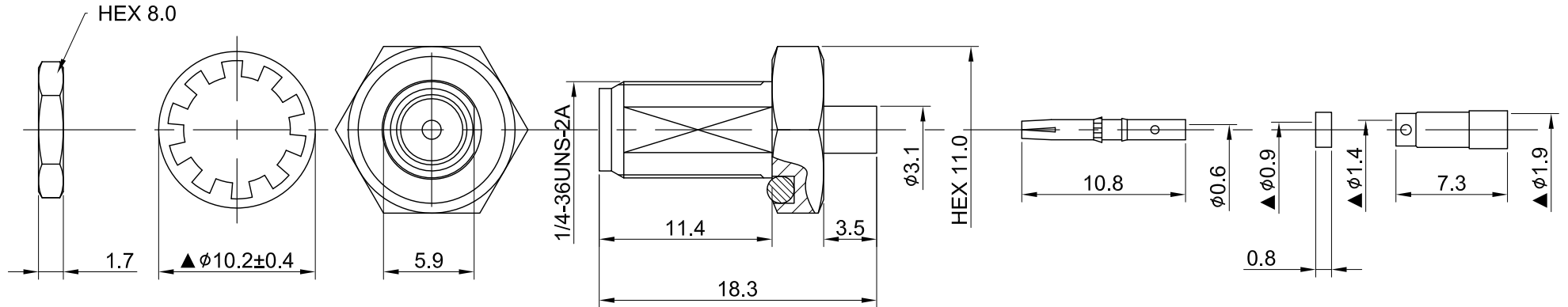
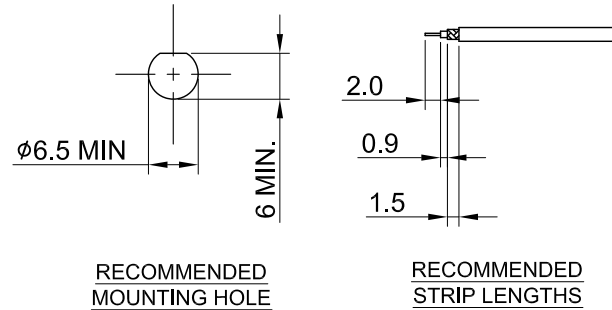


REV	DESCRIPTION	DATE
1.00	INITIAL DESIGN	2014/10/16
1.10	ADD DIM $\phi 0.9/\phi 1.4/\phi 1.9$, TOLERANCE $\phi 10.2 \pm 0.4$	2024/01/10



MECHANICAL DATA
 DURABILITY : 500 CYCLES
 TEMPERATURE RANGE : -65°C ~ + 165°C

ELECTRICAL DATA
 FREQUENCY RANGE: DC~6GHz
 IMPEDANCE : 50Ω
 VSWR : 1.3 MAX.
 WORKING VOLTAGE : AC 170V
 WITHSTANDING VOLTAGE : AC 500V
 INSULATION RESISTANCE : 5000 MΩ MIN

08	INSULATOR B	TEFLON	NONE	1	TITLE SMA(F) bh. w/ o-ring crimp for RG178 (Nickel)																
07	O RING	SILICONE RUBBER	RED	1																	
06	NUT	BRASS	NICKEL	1	DWG NO. C02CD31178005																
05	WASHER	BRASS	NICKEL	1																	
04	SLEEVE	BRASS	NICKEL	1	CUST. P/N: N/A DWG NO: N/A																
03	INSULATOR A	TEFLON	NONE	1																	
02	PIN	Be Cu	GOLD	1	<table border="0"> <tr> <td>GENERAL TOLERANCES</td> <td>DRAWN BY: Kelly</td> <td>2024/01/10</td> </tr> <tr> <td>.X ±0.2</td> <td>CHK'D BY: Eileen</td> <td>2024/01/10</td> </tr> <tr> <td>.XX ±0.2</td> <td></td> <td></td> </tr> <tr> <td>.XXX ±0.2</td> <td></td> <td></td> </tr> <tr> <td>ANGLES N/A</td> <td></td> <td></td> </tr> </table>		GENERAL TOLERANCES	DRAWN BY: Kelly	2024/01/10	.X ±0.2	CHK'D BY: Eileen	2024/01/10	.XX ±0.2			.XXX ±0.2			ANGLES N/A		
GENERAL TOLERANCES	DRAWN BY: Kelly	2024/01/10																			
.X ±0.2	CHK'D BY: Eileen	2024/01/10																			
.XX ±0.2																					
.XXX ±0.2																					
ANGLES N/A																					
01	BODY	BRASS	NICKEL	1	<table border="0"> <tr> <td>REV.</td> </tr> <tr> <td>DA2312260002</td> </tr> </table>		REV.	DA2312260002													
REV.																					
DA2312260002																					
NO	DESCRIPTION	MATERIAL	FINISH	Q'TY	SHEET 1 of 1	Unit: mm															



REV. 1.10