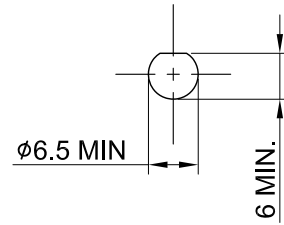
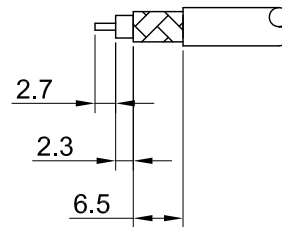


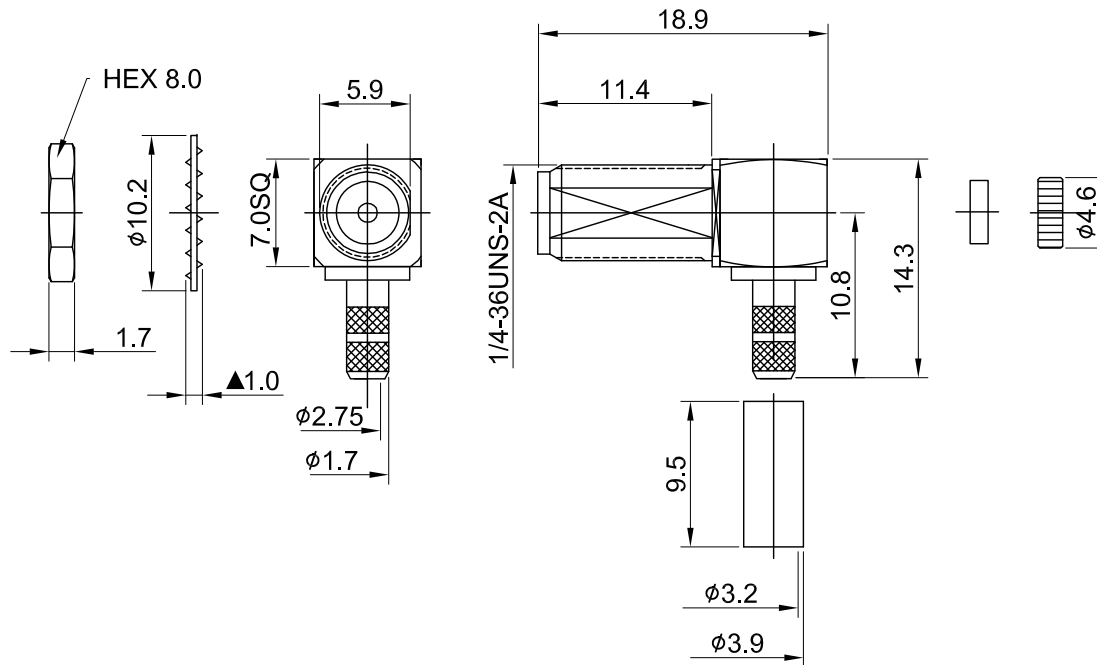
REV	DESCRIPTION	DATE
1.00	INITIAL DESIGN	2015/12/08
1.10	ADD DIM 1.0	2024/01/10



RECOMMENDED MOUNTING HOLE



RECOMMENDED STRIP LENGTHS



MECHANICAL DATA
 DURABILITY : 500 CYCLES
 TEMPERATURE RANGE : -65°C ~ + 165°C

ELECTRICAL DATA
 FREQUENCY RANGE: DC~6GHZ
 IMPEDANCE : 50Ω
 VSWR : 1.5 MAX.
 WORKING VOLTAGE : AC 375V
 WITHSTANDING VOLTAGE : AC 750V
 INSULATION RESISTANCE : 5000 MΩ MIN

08	INSULATOR B	TEFLON	NONE	1	TITLE SMA Right Angle bulkhead crimp for RG174 Nickel finishing																
07	FERRULE	BRASS	NICKEL	1																	
06	NUT	BRASS	NICKEL	1	DWG NO. C02DB31174017A																
05	WASHER	BRASS	NICKEL	1																	
04	CAP	BRASS	NICKEL	1	CUST. P/N: N/A DWG NO: N/A																
03	CENTER PIN	Be.Cu	GOLD	1																	
02	INSULATOR A	TEFLON	NONE	1	<table border="0"> <tr> <td>GENERAL TOLERANCES</td> <td>DRAWN BY: Kelly</td> <td>2024/01/10</td> </tr> <tr> <td>.X ±0.2</td> <td>CHK'D BY: Eileen</td> <td>2024/01/10</td> </tr> <tr> <td>.XX ±0.2</td> <td></td> <td></td> </tr> <tr> <td>.XXX ±0.2</td> <td></td> <td></td> </tr> <tr> <td>ANGLES N/A</td> <td></td> <td></td> </tr> </table>		GENERAL TOLERANCES	DRAWN BY: Kelly	2024/01/10	.X ±0.2	CHK'D BY: Eileen	2024/01/10	.XX ±0.2			.XXX ±0.2			ANGLES N/A		
GENERAL TOLERANCES	DRAWN BY: Kelly	2024/01/10																			
.X ±0.2	CHK'D BY: Eileen	2024/01/10																			
.XX ±0.2																					
.XXX ±0.2																					
ANGLES N/A																					
01	BODY	BRASS	NICKEL	1	<table border="0"> <tr> <td>⊕</td> <td>REV.</td> </tr> <tr> <td>DA2312260007</td> <td>1.10</td> </tr> </table>		⊕	REV.	DA2312260007	1.10											
⊕	REV.																				
DA2312260007	1.10																				
NO	DESCRIPTION	MATERIAL	FINISH	Q'TY	SHEET 1 of 1	Unit: mm															