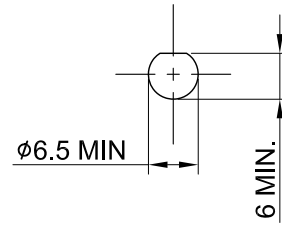
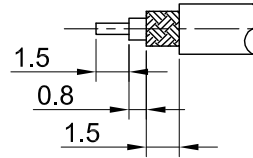


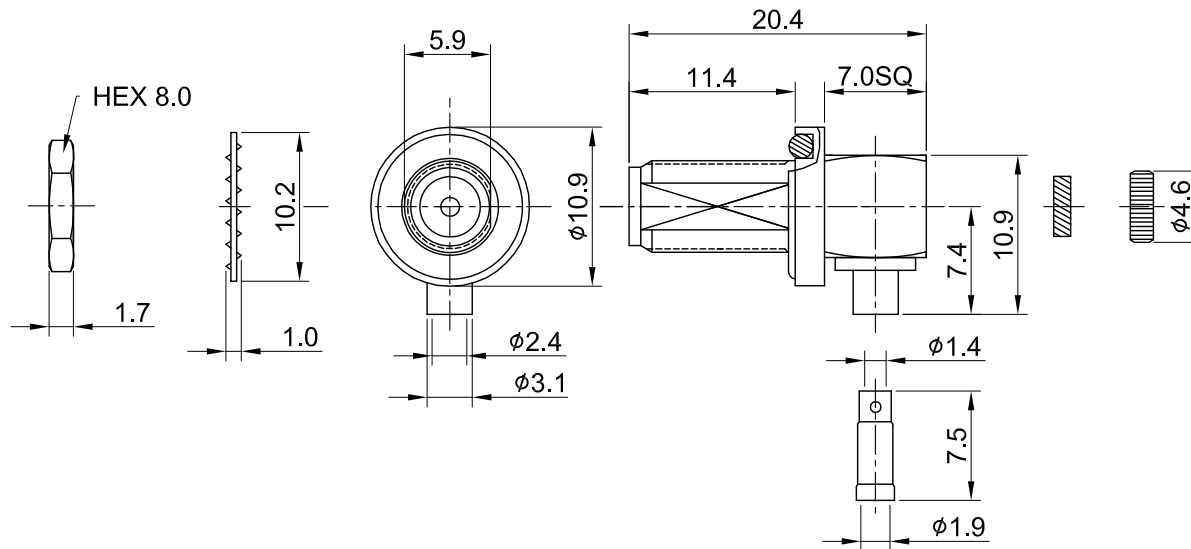
REV	DESCRIPTION	DATE
1.00	INITIAL DESIGN	2015/03/25
1.10	NEW DRAWING FRAME	2024/01/10



RECOMMENDED MOUNTING HOLE



RECOMMENDED STRIP LENGTHS



MECHANICAL DATA
 DURABILITY : 500 CYCLES
 TEMPERATURE RANGE : -65°C ~ + 165°C

ELECTRICAL DATA
 FREQUENCY RANGE: DC~6GHz
 IMPEDANCE : 50Ω
 VSWR : 1.5 MAX.
 WORKING VOLTAGE : AC 170V
 WITHSTANDING VOLTAGE : AC 500V
 INSULATION RESISTANCE : 5000 MΩ MIN

09	CAP	BRASS	NICKEL	1
08	INSULATOR B	TEFLON	NONE	1
07	SLEEVE	BRASS	NICKEL	1
06	NUT	BRASS	NICKEL	1
05	WASHER	BRASS	NICKEL	1
04	O RING	SILICONE RUBBER	RED	1
03	CENTER PIN	Be.Cu	GOLD	1
02	INSULATOR A	TEFLON	NONE	1
01	BODY	BRASS	NICKEL	1
NO	DESCRIPTION	MATERIAL	FINISH	Q'TY

TITLE		SMA(F) ra.bh. w/ O-ring for RG178(Nickel)	
DWG NO.		C02DD31178073-1	
CUST. P/N:		N/A	
DWG NO:		N/A	
SHEET 1 of 1		Unit: mm	
GENERAL TOLERANCES		DRAWN BY: Kelly 2024/01/10	
.X ±0.2		CHK'D BY: Eileen 2024/01/10	
.XX ±0.2		REV.	
.XXX ±0.2		DA2312260009	
ANGLES N/A		1.10	

