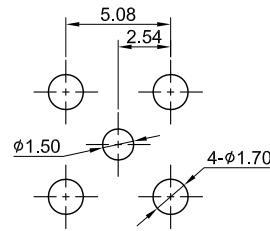
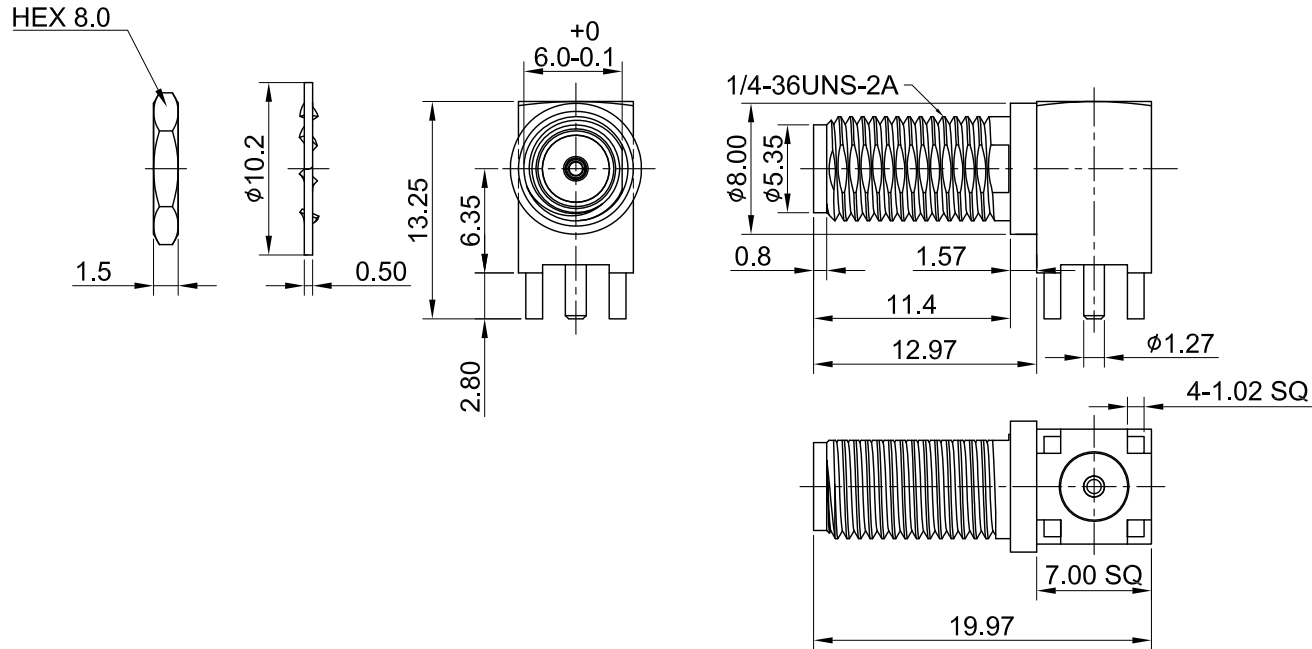


REV	DESCRIPTION	DATE
2.00	NEW DRAWING FRAME	2013/09/17
2.10	NEW DRAWING FRAME	2024/06/26
2.20	ADD ELECTRICAL DATA	2024/08/05



RECOMMENDED
PCB LAYOUT



MECHANICAL DATA
DURABILITY : 500 CYCLES
TEMPERATURE RANGE : -65°C ~ + 165°C

ELECTRICAL DATA
FREQUENCY RANGE: DC~6GHz
IMPEDANCE : 50Ω
VSWR : 1.5 MAX.
WORKING VOLTAGE : AC 500V
WITHSTANDING VOLTAGE : AC 1000V
INSULATION RESISTANCE : 5000 MΩ MIN

NO	DESCRIPTION	MATERIAL	FINISH	Q'TY
07	NUT	BRASS	NICKEL	1
06	WASHER	BRASS	NICKEL	1
05	INSULATOR B	TEFLON	NONE	1
04	INSULATOR A	TEFLON	NONE	1
03	CENTER	Be.Cu	GOLD	1
02	BODY	BRASS	NICKEL	1
01	HOUSING	BRASS	NICKEL	1

TITLE		DRAWN BY: Kelly		2024/08/05
SMA(F) bh. ra. for PCB (NI)		CHK'D BY: Chili		2024/08/05
DWG NO. C02DOWSP00202B		REVISIONS		
CUST. P/N: N/A		.X ±0.2		
DWG NO: N/A		.XX ±0.2		
SHEET 1 of 1		.XXX ±0.2		
Unit: mm		ANGLES N/A		
		DA2408050015		2.20

