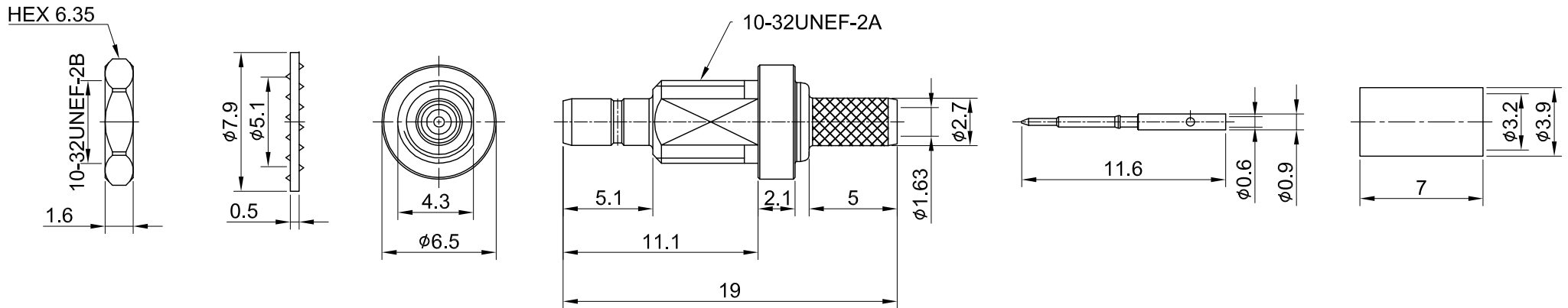
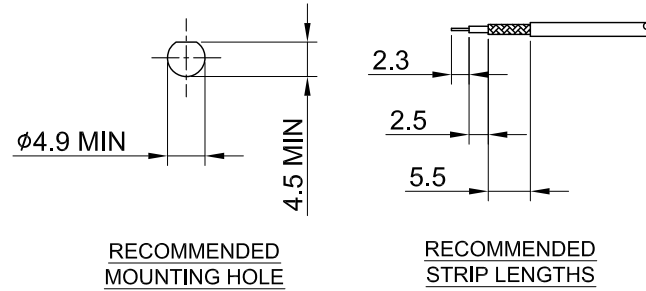


REV	DESCRIPTION	DATE
1.00	INITIAL DESIGN	2016/07/07
1.10	NEW DRAWING FRAME	2024/07/09



MECHANICAL DATA
TEMPERATURE RANGE : -65°C ~ + 165°C

ELECTRICAL DATA
FREQUENCY RANGE: DC~4GHz
IMPEDANCE : 50Ω
VSWR : 1.5 MAX.
WORKING VOLTAGE : AC 175V
WITHSTANDING VOLTAGE : AC 500V
INSULATION RESISTANCE : 1000 MΩ MIN

08	NUT	BRASS	GOLD	1	TITLE SSMB st.bulkhead Jack crimp for RG174																
07	LOCK WASHER	BRASS	GOLD	1																	
06	FERRULE	BRASS	GOLD	1	DWG NO. C12AB3F174008																
05	CENTER PIN	BRASS	GOLD	1																	
04	CABLE BODY	BRASS	GOLD	1	CUST. P/N: N/A DWG NO: N/A																
03	INSULATOR B	TEFLON	NONE	1																	
02	INSULATOR A	TEFLON	NONE	1	<table border="0"> <tr> <td>GENERAL TOLERANCES</td> <td>DRAWN BY: Kelly</td> <td>2024/07/09</td> </tr> <tr> <td>.X ±0.2</td> <td>CHK'D BY: Chili</td> <td>2024/07/09</td> </tr> <tr> <td>.XX ±0.2</td> <td></td> <td></td> </tr> <tr> <td>.XXX ±0.2</td> <td></td> <td></td> </tr> <tr> <td>ANGLES N/A</td> <td></td> <td></td> </tr> </table>		GENERAL TOLERANCES	DRAWN BY: Kelly	2024/07/09	.X ±0.2	CHK'D BY: Chili	2024/07/09	.XX ±0.2			.XXX ±0.2			ANGLES N/A		
GENERAL TOLERANCES	DRAWN BY: Kelly	2024/07/09																			
.X ±0.2	CHK'D BY: Chili	2024/07/09																			
.XX ±0.2																					
.XXX ±0.2																					
ANGLES N/A																					
01	BODY	BRASS	GOLD	1	<table border="0"> <tr> <td>DA2407090012</td> <td>REV.</td> </tr> <tr> <td></td> <td>1.10</td> </tr> </table>		DA2407090012	REV.		1.10											
DA2407090012	REV.																				
	1.10																				
NO	DESCRIPTION	MATERIAL	FINISH	Q'TY	SHEET 1 of 1	Unit: mm															