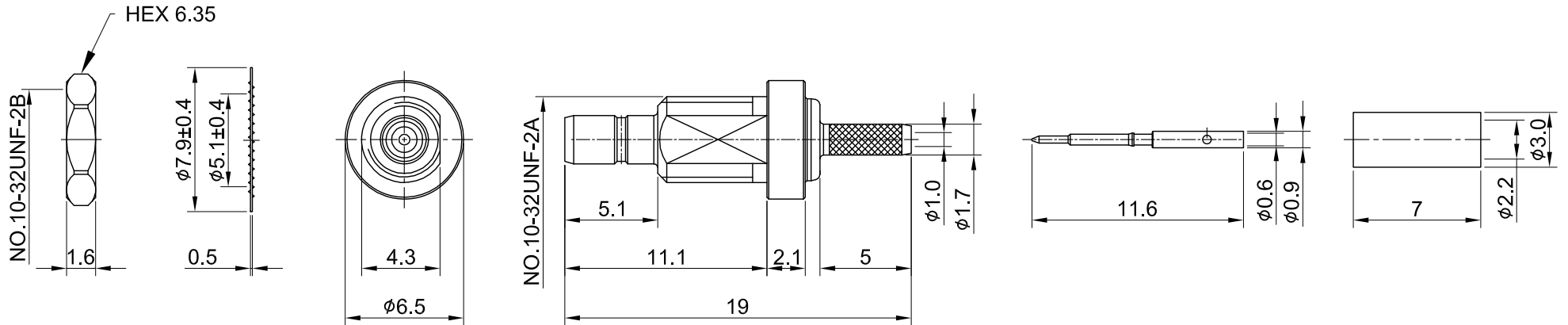
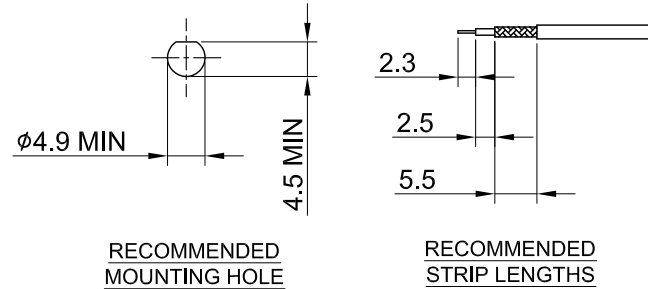


REV	DESCRIPTION	DATE
1.10	NEW DRAWING FRAME	2023/06/06
1.20	CORRECT INSULATION RESISTANCE, ADD WASHER TOLERANCE	2024/01/24



MECHANICAL DATA
TEMPERATURE RANGE : -65°C ~ + 165°C

DIELECTRICAL DATA
FREQUENCY RANGE: DC~4GHz
IMPEDANCE : 50Ω
VSWR : 1.5 MAX.
WORKING VOLTAGE : AC 175V
WITHSTANDING VOLTAGE : AC 500V
INSULATION RESISTANCE : 1000 MΩ MIN

08	NUT	BRASS	GOLD	1	TITLE SSMB st.bulkhead Jack crimp for RG178			
07	WASHER	BRASS	GOLD	1				
06	FERRULE	BRASS	GOLD	1				
05	CENTER PIN	BRASS	GOLD	1	DWG NO. C12AB3F178008			
04	CABLE BODY	BRASS	GOLD	1				
03	INSULATOR B	TEFLON	NONE	1	CUST. P/N: N/A DWG NO: N/A	 GENERAL TOLERANCES .X ±0.2 .XX ±0.2 .XXX ±0.2 ANGLES N/A		
02	INSULATOR A	TEFLON	NONE	1			DRAWN BY: Lottie 2024/01/24	
01	BODY	BRASS	GOLD	1			CHK'D BY: Dora 2024/01/24	
NO	DESCRIPTION	MATERIAL	FINISH	Q'TY	SHEET 1 of 1	Unit: mm	 DA2401030028	REV. 1.20