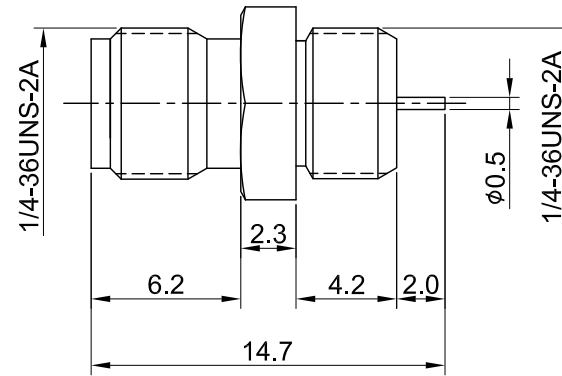
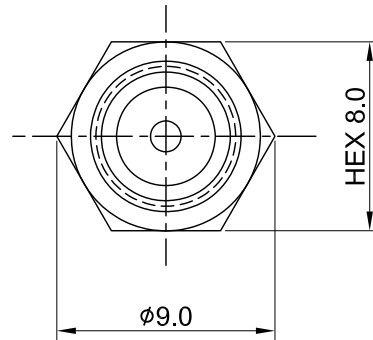


REV	DESCRIPTION	DATE
1.00	INITIAL DESIGN	2023/10/12



MECHANICAL DATA  
 DURABILITY : 500 CYCLES  
 TEMPERATURE RANGE : -65°C ~ + 165°C

ELECTRICAL DATA  
 FREQUENCY RANGE: DC~12.4GHz  
 IMPEDANCE : 50Ω  
 VSWR : 1.3 MAX.  
 WORKING VOLTAGE : AC 500V  
 WITHSTANDING VOLTAGE : AC 1000V  
 INSULATION RESISTANCE : 5000 MΩ MIN

TITLE  
 SMA(F), w/thread L4.2 for panel hole, blunt post OD0.5\*L2.0,  
 12.4GHz

DWG NO.  
 C02AZ3195



03	CENTER PIN	Be.Cu	GOLD	1
02	INSULATOR	PTFE	NONE	1
01	BODY	BRASS	GOLD	1
NO	DESCRIPTION	MATERIAL	FINISH	Q'TY

CUST. P/N: N/A  
 DWG NO: N/A  
 SHEET 1 of 1 Unit: mm

GENERAL TOLERANCES	DRAWN BY:	DATE
.X ±0.2	Kelly	2023/10/12
.XX ±0.2	CHK'D BY: Mindy	2023/10/12
.XXX ±0.2		
ANGLES N/A		
	DA2310110012	REV. 1.00