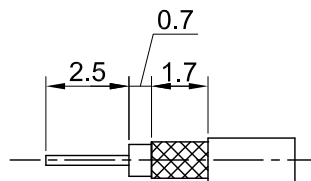
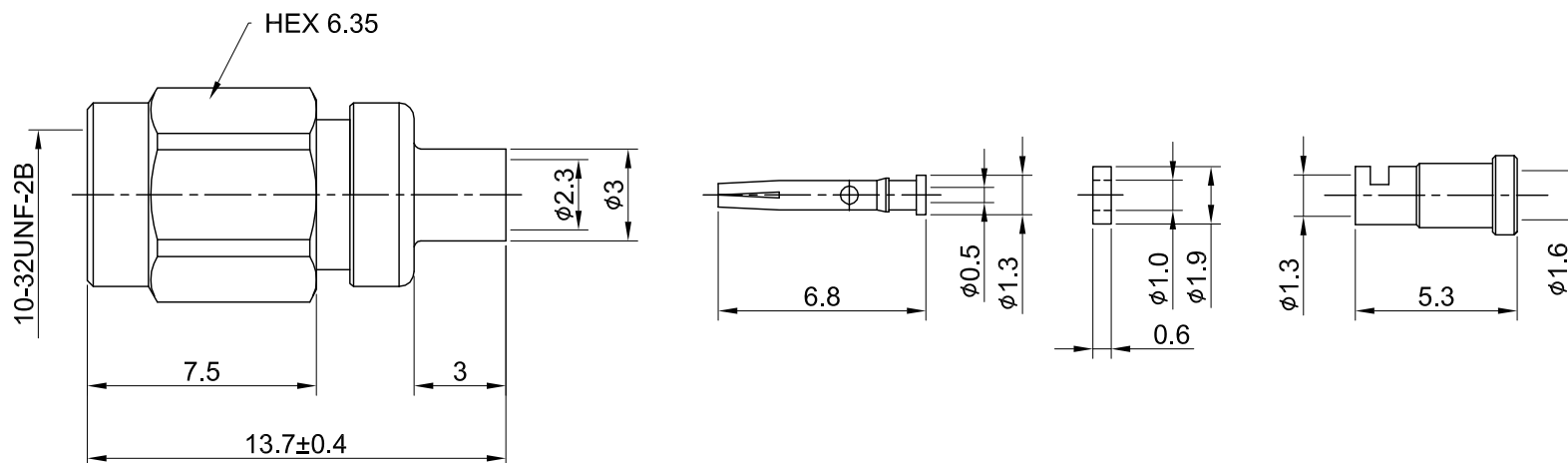


REV	DESCRIPTION	DATE
1.00	INITIAL DESIGN	2022/04/12
1.10	NEW DRAWING FRAME	2024/07/18



RECOMMENDED STRIP LENGTHS



MECHANICAL DATA  
 DURABILITY : 500 CYCLES  
 TEMPERATURE RANGE : -65°C ~ + 165°C

ELECTRICAL DATA  
 FREQUENCY RANGE: DC~6GHz  
 IMPEDANCE : 50Ω  
 VSWR : 1.5 MAX.  
 WORKING VOLTAGE : AC 335V  
 WITHSTANDING VOLTAGE : AC 750V  
 INSULATION RESISTANCE : 1000 MΩ MIN

NO	DESCRIPTION	MATERIAL	FINISH	Q'TY
07	FERRULE	BRASS	GOLD	1
06	INSULATOR GASKET	TEFLON	NONE	1
05	CENTER PIN	Be.Cu	GOLD	1
04	INSULATOR	TEFLON	NONE	1
03	INNER RETAINING RING	STAINLESS STEEL	NONE	1
02	BODY	BRASS	GOLD	1
01	SHELL	BRASS	GOLD	1

TITLE		DRAWN BY: Kelly		2024/07/18
SMC(M) st. for 1.37		CHK'D BY: Chili		2024/07/18
DWG NO. C13AA3F137003D		REVISIONS		REV. 1.10
CUST. P/N: N/A DWG NO: N/A		DA2407180011		
SHEET 1 of 1		Unit: mm		



GENERAL TOLERANCES	
.X	±0.2
.XX	±0.2
.XXX	±0.2
ANGLES	N/A