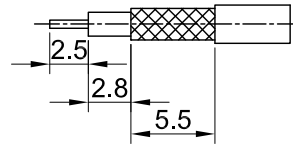
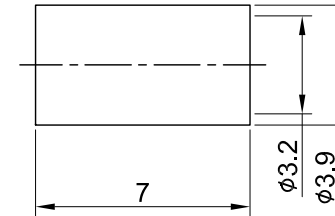
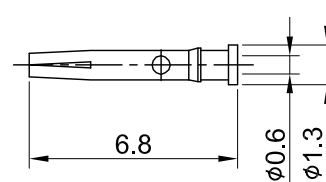
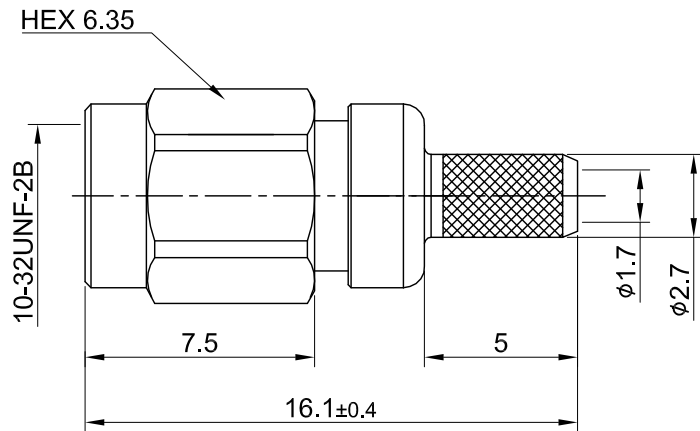


REV	DESCRIPTION	DATE
2.10	ADD HEX 6.35 AND THREAD STANDARD	2022/06/29
2.20	NEW DRAWING FRAME	2023/11/28



RECOMMENDED STRIP LENGTHS



MECHANICAL DATA
 DURABILITY : 500 CYCLES
 TEMPERATURE RANGE : -65°C ~ + 165°C

ELECTRICAL DATA
 FREQUENCY RANGE: DC~6GHZ
 IMPEDANCE : 50Ω
 VSWR : 1.5 MAX.
 WORKING VOLTAGE : AC 335V
 WITHSTANDING VOLTAGE : AC 750V
 INSULATION RESISTANCE : 1000 MΩ MIN

06	FERRULE	BRASS	GOLD	1
05	CENTER PIN	Be.Cu	GOLD	1
04	INSULATOR	TEFLON	NONE	1
03	INNER RETAINING RING	STAINLESS STEEL	NONE	1
02	BODY	BRASS	GOLD	1
01	SHELL	BRASS	GOLD	1
NO	DESCRIPTION	MATERIAL	FINISH	Q'TY

TITLE		DRAWN BY: Kelly		2023/11/28	
SMC(M) st. crimp type for RG174		CHK'D BY: Eileen		2023/11/28	
DWG NO. C13AA3F174003		CUST. P/N: N/A		DWG NO: N/A	
SHEET 1 of 1		Unit: mm		DA2311280004	
GENERAL TOLERANCES		DRAWN BY: Kelly		2023/11/28	
.X ±0.2		CHK'D BY: Eileen		2023/11/28	
.XX ±0.2		REVISION		REV. 2.20	
.XXX ±0.2		DA2311280004			
ANGLES N/A					

