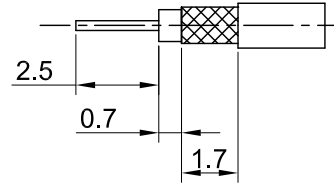
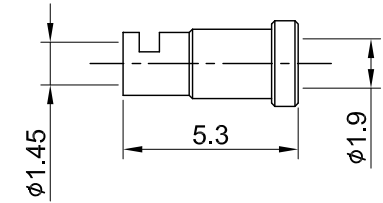
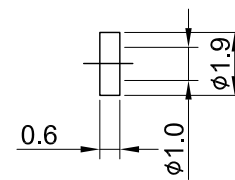
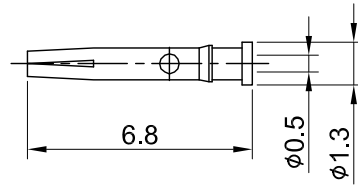
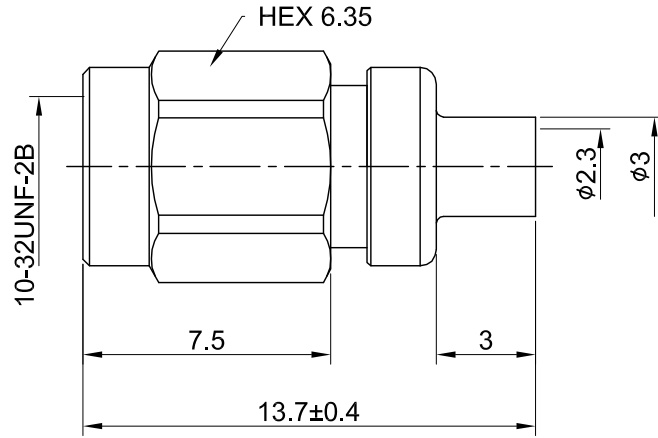


REV	DESCRIPTION	DATE
2.00	UPDATE DRAWING	2021/04/21
2.10	NEW DRAWING FRAME	2024/03/05



RECOMMENDED STRIP LENGTHS



MECHANICAL DATA
 DURABILITY : 500 CYCLES
 TEMPERATURE RANGE : -65°C ~ + 165°C

ELECTRICAL DATA
 FREQUENCY RANGE: DC~6GHZ
 IMPEDANCE : 50Ω
 VSWR : 1.5 MAX.
 WORKING VOLTAGE : AC 335V
 WITHSTANDING VOLTAGE : AC 750V
 INSULATION RESISTANCE : 1000 MΩ MIN

07	FERRULE	BRASS	GOLD	1
06	INSULATOR GASKET	TEFLON	NONE	1
05	INSULATOR	TEFLON	NONE	1
04	INNER RETAINING RING	STAINLESS STEEL	NONE	1
03	CENTER PIN	Be.Cu	GOLD	1
02	BODY	BRASS	GOLD	1
01	SHELL	BRASS	GOLD	1
NO	DESCRIPTION	MATERIAL	FINISH	Q'TY

TITLE		DRAWN BY: Kelly		2024/03/05
SMC(M) st. crimp type for RG178		CHK'D BY: Dora		2024/03/05
DWG NO. C13AA3F178003		REVISIONS		REV. 2.10
CUST. P/N: N/A DWG NO: N/A		DA2401100011		
SHEET 1 of 1		Unit: mm		



GENERAL TOLERANCES	
.X	±0.2
.XX	±0.2
.XXX	±0.2
ANGLES	N/A