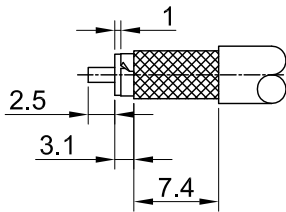
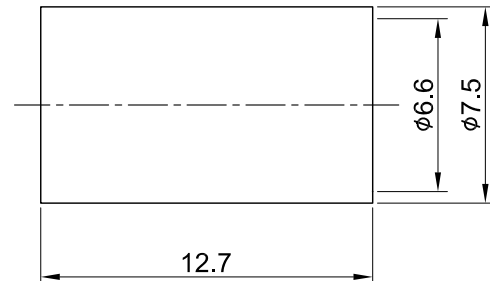
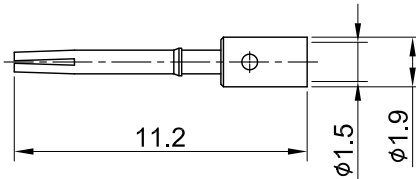
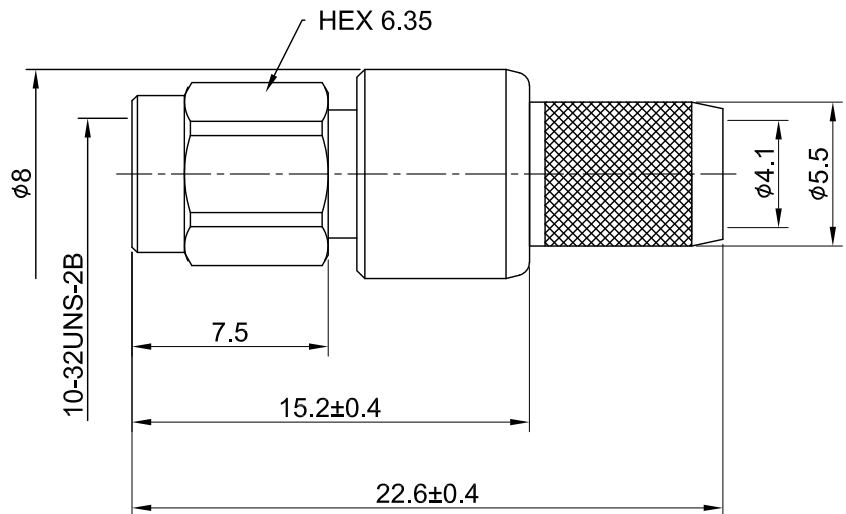


REV	DESCRIPTION	DATE
2.00	UPDATE DRAWING	2022/03/03
2.10	UPDATE RECOMMENDED STRIP LENGTHS	2024/03/05




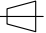
▲ RECOMMENDED STRIP LENGTHS



MECHANICAL DATA  
 DURABILITY : 500 CYCLES  
 TEMPERATURE RANGE : -65°C ~ + 165°C

ELECTRICAL DATA  
 FREQUENCY RANGE: DC~6GHZ  
 IMPEDANCE : 50Ω  
 VSWR : 1.5 MAX.  
 WORKING VOLTAGE : AC 335V  
 WITHSTANDING VOLTAGE : AC 750V  
 INSULATION RESISTANCE : 1000 MΩ MIN

07	INSULATOR	TEFLON	NONE	1
06	FERRULE	BRASS	GOLD	1
05	CHASSIS	BRASS	GOLD	1
04	INNER RETAINING RING	STAINLESS STEEL	NONE	1
03	CENTER PIN	Be.Cu	GOLD	1
02	BODY	BRASS	GOLD	1
01	SHELL	BRASS	GOLD	1
NO	DESCRIPTION	MATERIAL	FINISH	Q'TY

TITLE		DRAWN BY: Kelly		2024/03/05	
SMC(M)st. crimp for LMR240/H155 cable		CHK'D BY: Dora		2024/03/05	
DWG NO. C13AA3FL24003		GENERAL TOLERANCES			
CUST. P/N: N/A		.X ±0.2		REV. 2.10	
DWG NO: N/A		.XX ±0.2			
SHEET 1 of 1		.XXX ±0.2		DA2401100012	
Unit: mm		ANGLES N/A			

