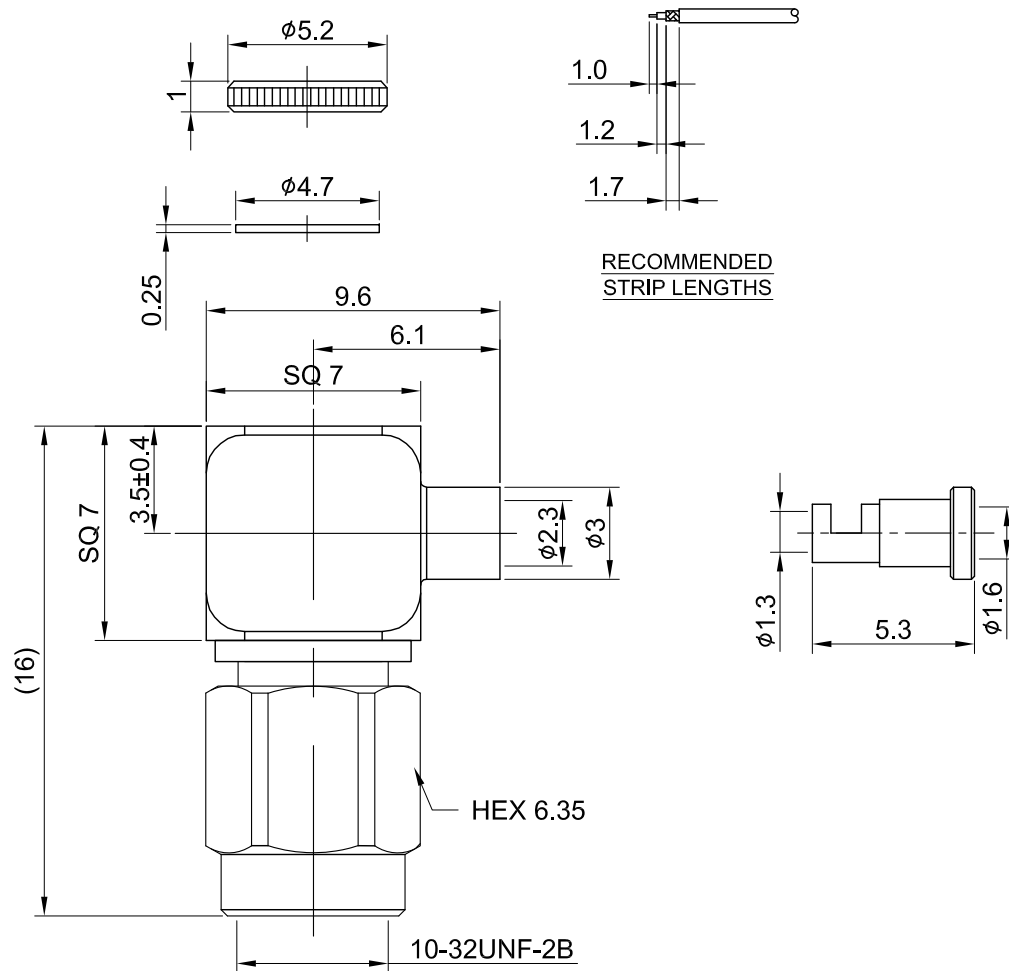


| REV  | DESCRIPTION                    | DATE       |
|------|--------------------------------|------------|
| 1.00 | INITIAL DESIGN                 | 2021/12/30 |
| 1.10 | CHG INSULATOR COVER PET W. POM | 2024/03/06 |



MECHANICAL DATA  
 DURABILITY : 500 CYCLES  
 TEMPERATURE RANGE : -40°C ~ + 85°C

ELECTRICAL DATA  
 FREQUENCY RANGE: DC~6GHz  
 IMPEDANCE : 50Ω  
 VSWR : 1.5 MAX.  
 WORKING VOLTAGE : AC 335V  
 WITHSTANDING VOLTAGE : AC 750V  
 INSULATION RESISTANCE : 1000 MΩ MIN

|    |                      |                 |        |      |
|----|----------------------|-----------------|--------|------|
| 09 | FERRULE              | BRASS           | GOLD   | 1    |
| 08 | PRESS COVER          | BRASS           | GOLD   | 1    |
| 07 | INSULATOR COVER      | PET             | NONE   | 1    |
| 06 | CENTER PIN           | Be.Cu           | GOLD   | 1    |
| 05 | CABLE BODY           | BRASS           | GOLD   | 1    |
| 04 | INSULATOR            | TEFLON          | NONE   | 1    |
| 03 | INNER RETAINING RING | STAINLESS STEEL | NONE   | 1    |
| 02 | BODY                 | BRASS           | GOLD   | 1    |
| 01 | SHELL                | BRASS           | GOLD   | 1    |
| NO | DESCRIPTION          | MATERIAL        | FINISH | Q'TY |

TITLE  
 SMC(M) ra. for 1.37

DWG NO.  
 C13BA3F137001-1

CUST.  
 P/N: N/A  
 DWG NO: N/A

SHEET 1 of 1 Unit: mm



|                    |                 |            |
|--------------------|-----------------|------------|
| GENERAL TOLERANCES | DRAWN BY: Kelly | 2024/03/06 |
| .X ±0.2            | CHK'D BY: Dora  | 2024/03/06 |
| .XX ±0.2           |                 |            |
| .XXX ±0.2          |                 |            |
| ANGLES N/A         |                 |            |
|                    | REV.            | 1.10       |
|                    | DA2401110014    |            |