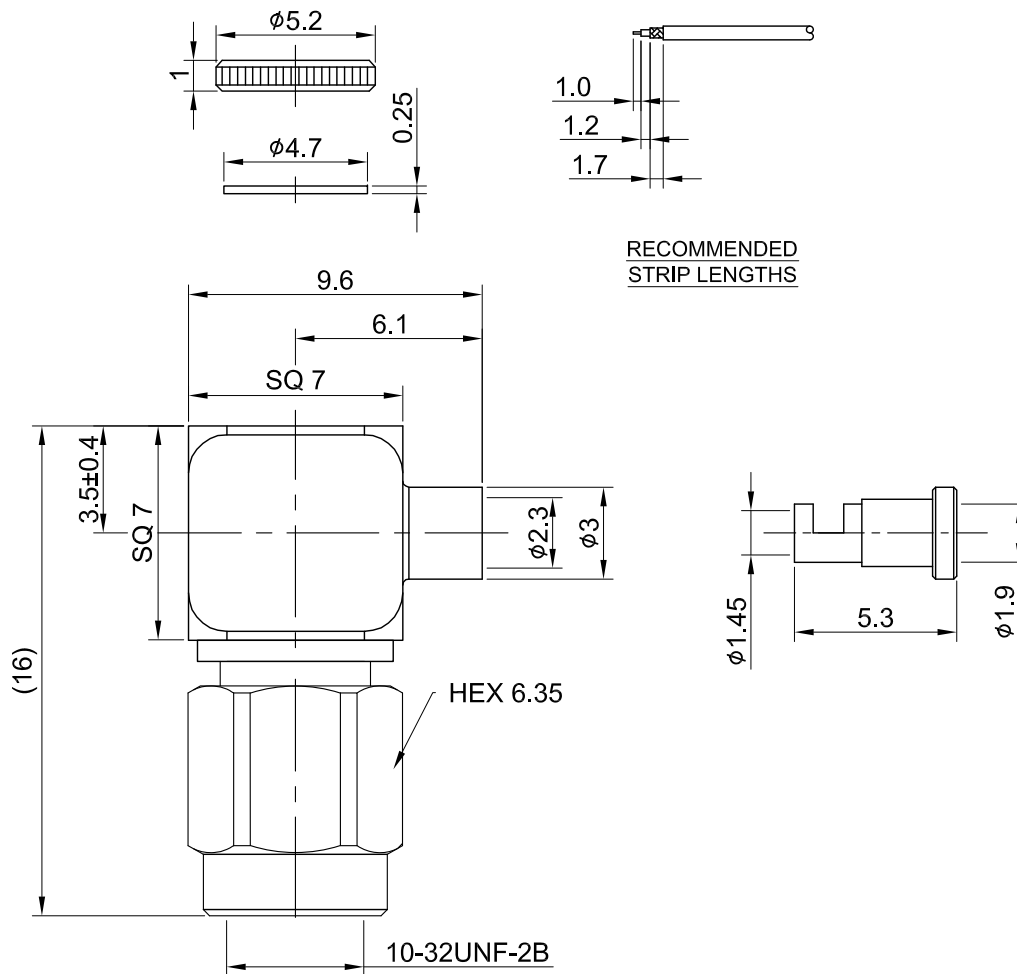


REV	DESCRIPTION	DATE
2.10	DESIGN IMPROVEMENT	2021/12/24
2.20	NEW DRAWING FRAME	2024/07/18



MECHANICAL DATA
 DURABILITY : 500 CYCLES
 TEMPERATURE RANGE : -40°C ~ + 85°C

ELECTRICAL DATA
 FREQUENCY RANGE: DC~6GHz
 IMPEDANCE : 50Ω
 VSWR : 1.5 MAX.
 WORKING VOLTAGE : AC 335V
 WITHSTANDING VOLTAGE : AC 750V
 INSULATION RESISTANCE : 1000 MΩ MIN

09	FERRULE	BRASS	GOLD	1
08	PRESS COVER	BRASS	GOLD	1
07	INSULATOR COVER	PET	NONE	1
06	CENTER PIN	Be.Cu	GOLD	1
05	CABLE BODY	BRASS	GOLD	1
04	INSULATOR	TEFLON	NONE	1
03	INNER RETAINING RING	STAINLESS STEEL	NONE	1
02	SHELL	BRASS	GOLD	1
01	BODY	BRASS	GOLD	1
NO	DESCRIPTION	MATERIAL	FINISH	Q'TY

TITLE
 SMC(M) ra. for RG178

DWG NO.
 C13BA3F178001-1

CUST.
 P/N: N/A
 DWG NO: N/A

SHEET 1 of 1 Unit: mm



GENERAL TOLERANCES	DRAWN BY: Kelly	2024/07/18
.X ±0.2	CHK'D BY: Chili	2024/07/18
.XX ±0.2		
.XXX ±0.2		
ANGLES N/A		
	DA2407180012	REV. 1.20