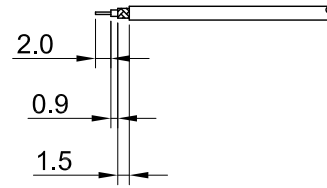
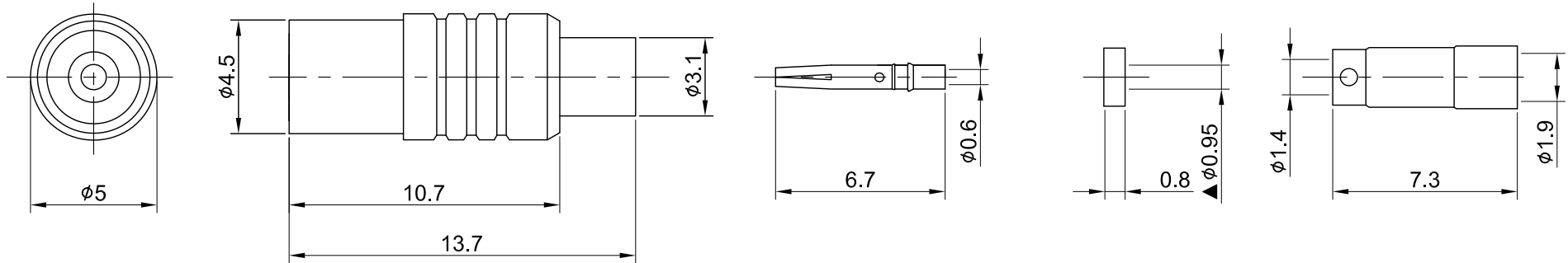


| REV | DESCRIPTION | DATE |
|------|---------------------------------------|------------|
| 1.10 | NEW DRAWING FRAME | 2023/06/20 |
| 1.20 | CORRECT DIM $\phi 0.95$ W. $\phi 0.9$ | 2024/05/09 |



RECOMMENDED STRIP LENGTHS



MECHANICAL DATA
 DURABILITY : 500 CYCLES
 TEMPERATURE RANGE : -65°C ~ + 165°C

ELECTRICAL DATA
 FREQUENCY RANGE: DC~6GHZ
 IMPEDANCE : 50Ω
 VSWR : 1.3 MAX.
 WORKING VOLTAGE : AC 170V
 WITHSTANDING VOLTAGE : AC 500V
 INSULATION RESISTANCE : 5000 MΩ MIN

TITLE
 MCX(F) st. for RG178

| | | | | |
|----|-------------|----------|--------|------|
| 04 | SLEEVE | BRASS | NICKEL | 1 |
| 03 | INSULATOR B | TEFLON | NONE | 1 |
| 02 | PIN | Be.Cu | GOLD | 1 |
| 01 | INSULATOR A | TEFLON | NONE | 1 |
| | BODY | BRASS | GOLD | 1 |
| NO | DESCRIPTION | MATERIAL | FINISH | Q'TY |

| | |
|------------|----------------|
| DWG NO. | C08AA31178008D |
| CUST. P/N: | N/A |
| DWG NO: | N/A |
| SHEET | 1 of 1 |
| Unit: | mm |

GENERAL TOLERANCES

| | |
|--------|------|
| .X | ±0.2 |
| .XX | ±0.2 |
| .XXX | ±0.2 |
| ANGLES | N/A |

DRAWN BY: Lottie 2024/05/09

CHK'D BY: Kelly 2024/05/09

REV. 1.20

DA2401160021