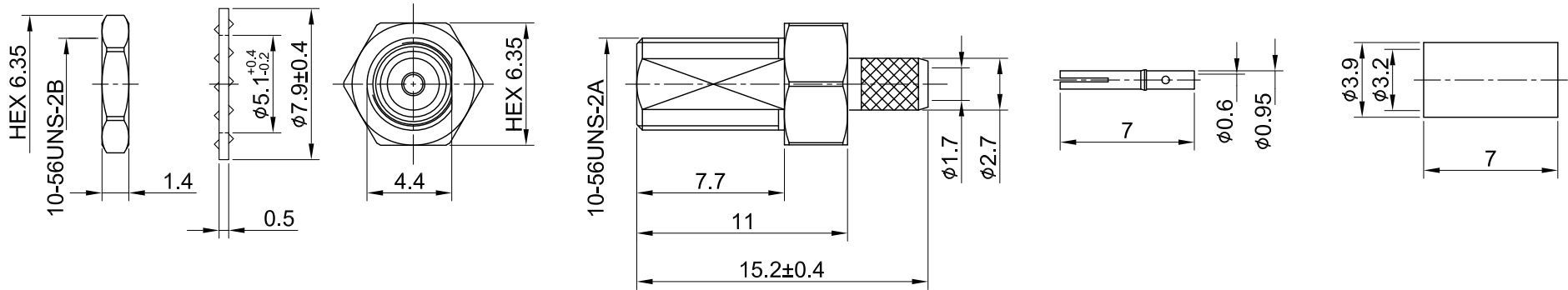
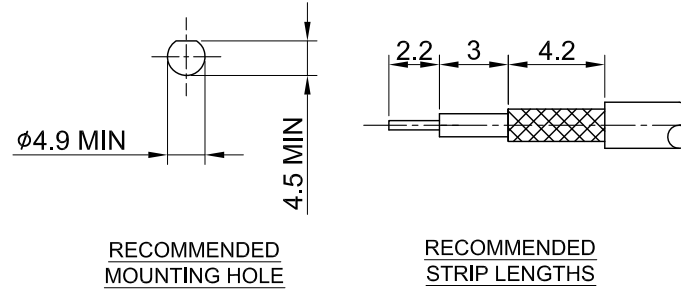


REV	DESCRIPTION	DATE
2.10	NEW DRAWING FRAME	2023/06/26
2.20	CORRECT INSULATION RESISTANCE	2023/11/16



MECHANICAL DATA
 DURABILITY : 500 CYCLES
 TEMPERATURE RANGE : -65°C ~ + 165°C

ELECTRICAL DATA
 FREQUENCY RANGE: DC~6GHZ
 IMPEDANCE : 50Ω
 VSWR : 1.3 MAX.
 WORKING VOLTAGE : AC 335V
 WITHSTANDING VOLTAGE : AC 500V
 INSULATION RESISTANCE : 1000 MΩ MIN

07	NUT	BRASS	GOLD	1
06	WASHER	BRASS	GOLD	1
05	FERRULE	BRASS	GOLD	1
04	PIN	Be.Cu	GOLD	1
03	BODY B	BRASS	GOLD	1
02	INSULATOR	TEFLON	NONE	1
01	BODY A	BRASS	GOLD	1
NO	DESCRIPTION	MATERIAL	FINISH	Q'TY

TITLE		DRAWN BY:	
MCX(F) bh. crimp type for RG174		Lottie	2023/11/16
DWG NO. C08AB3F174002A		CHK'D BY: Dora	2023/11/16
CUST. P/N: N/A DWG NO: N/A		Wellshow	
SHEET 1 of 1 Unit: mm		GENERAL TOLERANCES .X ±0.2 .XX ±0.2 .XXX ±0.2 ANGLES N/A	REV. 2.20 DA2311140004