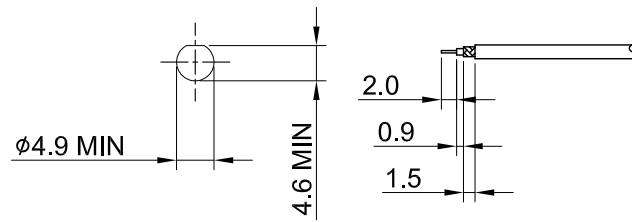
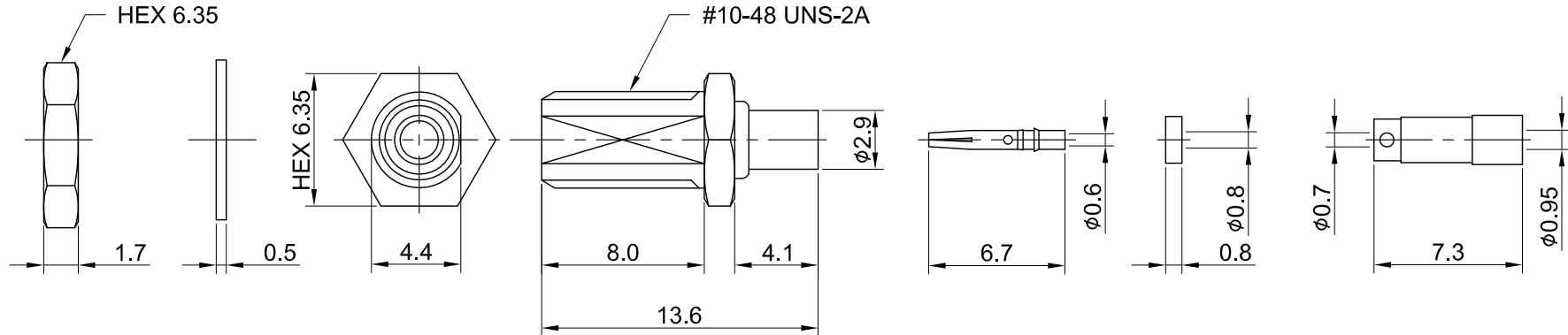


REV	DESCRIPTION	DATE
2.10	NEW DRAWING FRAME	2023/06/26
2.20	CORRECT INSULATION RESISTANCE & MOUNTING HOLE, UPDATE THREAD	2024/03/14



RECOMMENDED MOUNTING HOLE

RECOMMENDED STRIP LENGTHS



MECHANICAL DATA
 DURABILITY : 500 CYCLES
 TEMPERATURE RANGE : -65°C ~ + 165°C

ELECTRICAL DATA
 FREQUENCY RANGE: DC~6GHZ
 IMPEDANCE : 50Ω
 VSWR : 1.3 MAX.
 WORKING VOLTAGE : AC 170V
 WITHSTANDING VOLTAGE : AC 500V
 INSULATION RESISTANCE : 5000 MΩ MIN

NO	DESCRIPTION	MATERIAL	FINISH	Q'TY
06	WASHER	BRASS	GOLD	1
05	NUT	BRASS	GOLD	1
04	SLEEVE	BRASS	NICKEL	1
03	PIN	Be.Cu	GOLD	1
02	INSULATOR	TEFLON	NONE	1
01	BODY	BRASS	GOLD	1

TITLE		DRAWN BY:		CHK'D BY:		REV.	
MCX(F) bh. crimp type for 0.81		Lottie	2024/03/14	Kelly	2024/03/14	DA2401160018 2.20	
DWG NO. C08AB31081002B-1		CUST. P/N: N/A		DWG NO: N/A		GENERAL TOLERANCES	
SHEET 1 of 1		Unit: mm		.X ±0.2		.XX ±0.2	
				.XXX ±0.2		ANGLES N/A	

