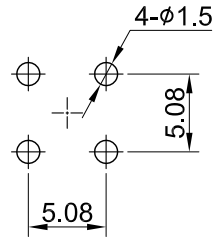
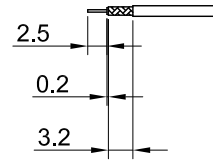


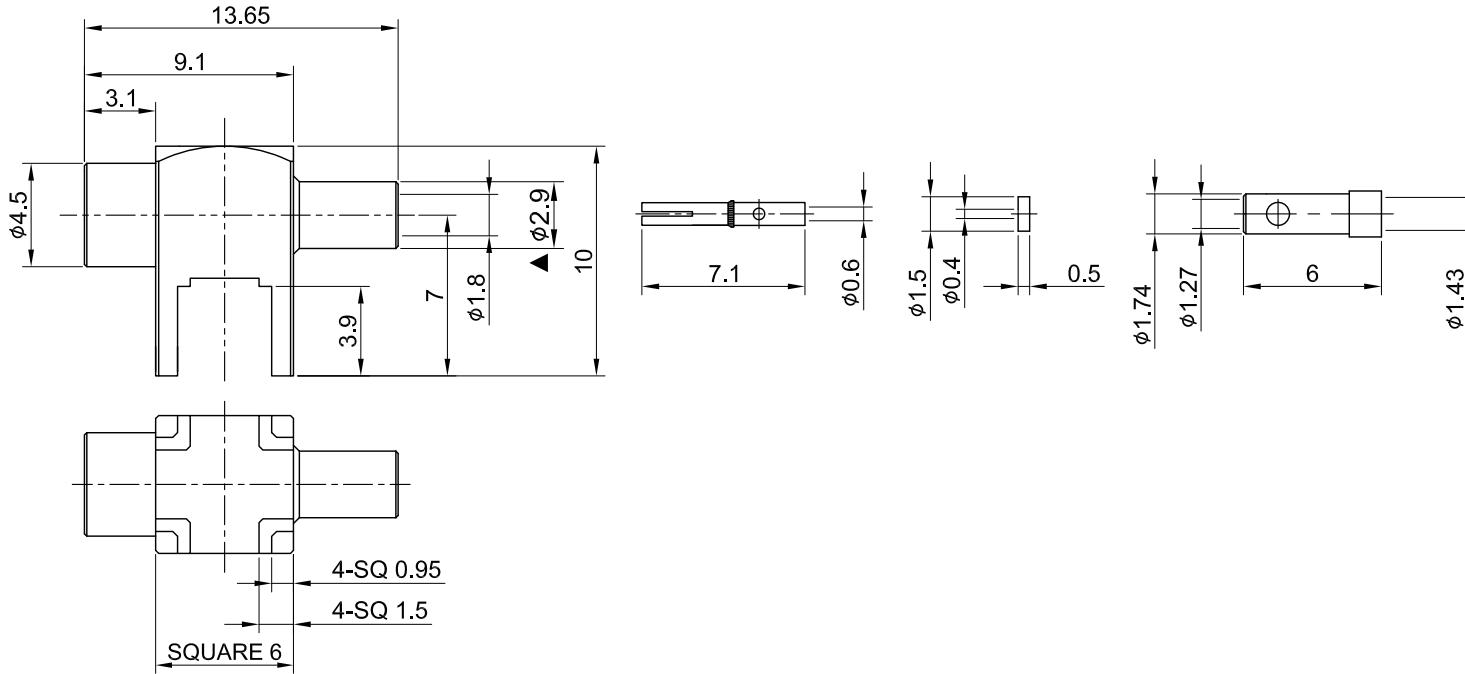
REV	DESCRIPTION	DATE
3.20	ADD DIMENSIONS $\phi 2.9$	2023/07/03



RECOMMENDED
PCB LAYOUT



RECOMMENDED
STRIP LENGTHS



MECHANICAL DATA
DURABILITY : 100 CYCLES
TEMPERATURE RANGE : -65°C ~ + 165°C

ELECTRICAL DATA
FREQUENCY RANGE: DC~6GHz
IMPEDANCE : 50Ω
VSWR : 1.5 MAX.
WORKING VOLTAGE : AC 335V
WITHSTANDING VOLTAGE : AC 500V
INSULATION RESISTANCE : 1000 mΩ MIN

NO	DESCRIPTION	MATERIAL	FINISH	Q'TY
07	FERRULE	BRASS	GOLD	1
06	INSULATOR B	TEFLON	NONE	1
05	CENTER PIN	Be.Cu	GOLD	1
04	BODY	BRASS	GOLD	1
03	CUBE BODY	BRASS	GOLD	1
02	INSULATOR A	TEFLON	NONE	1
01	PRESS WAHSER	BRASS	GOLD	1

TITLE		DRAWN BY:		CHK'D BY:		REV.	
MCX(F) st. PCB crimp for 1.37		Kelly		Mindy		2023/07/03	
DWG NO. C08AI30137003		CUST. P/N: N/A DWG NO: N/A		GENERAL TOLERANCES .X ±0.2 .XX ±0.2 .XXX ±0.2 ANGLES N/A		DA2306260035	
SHEET 1 of 1		Unit: mm		2023/07/03		3.20	

