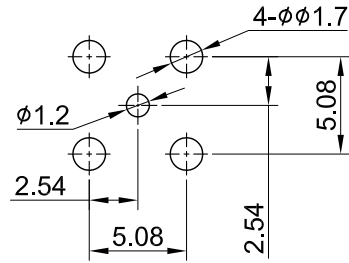
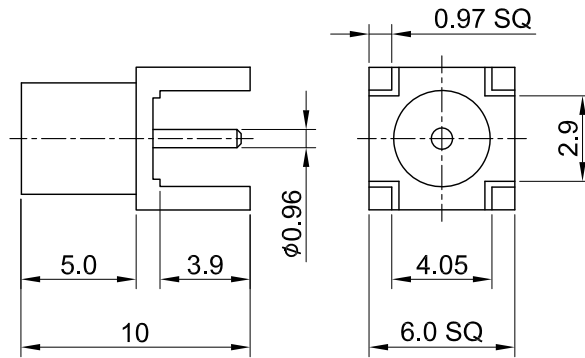


REV	DESCRIPTION	DATE
1.20	NEW DRAWING FRAME	2023/06/26
1.30	CORRECT INSULATION RESISTANCE UNIT	2023/11/30



RECOMMENDED PCB HOLE



MECHANICAL DATA  
 DURABILITY : 500 CYCLES  
 TEMPERATURE RANGE : -65°C ~ + 165°C

ELECTRICAL DATA  
 FREQUENCY RANGE: DC~6GHz  
 IMPEDANCE : 50Ω  
 VSWR : 1.3 MAX.  
 WORKING VOLTAGE : AC 500V  
 WITHSTANDING VOLTAGE : AC 1000V  
 INSULATION RESISTANCE : 1000 MΩ MIN

03	PIN	Be.Cu	GOLD	1
02	INSULATOR	TEFLON	NONE	1
01	BODY	BRASS	GOLD	1
NO	DESCRIPTION	MATERIAL	FINISH	Q'TY

TITLE		DRAWN BY: Kelly		2023/11/30	
MCX(F) st., PCB type w/3.9mm leg, dia. 4.5xL10		CHK'D BY: Eileen		2023/11/30	
DWG NO. C08AN31P00105		GENERAL TOLERANCES		REV.	
CUST. P/N: N/A		.X ±0.2		DA2311300006	
DWG NO: N/A		.XX ±0.2		1.30	
SHEET 1 of 1		.XXX ±0.2			
Unit: mm		ANGLES N/A			

