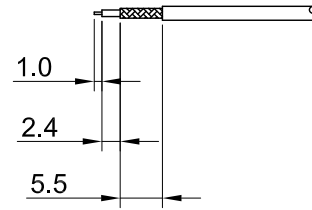
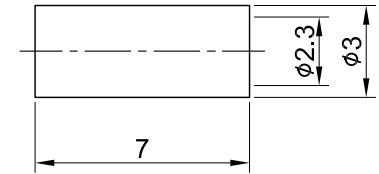
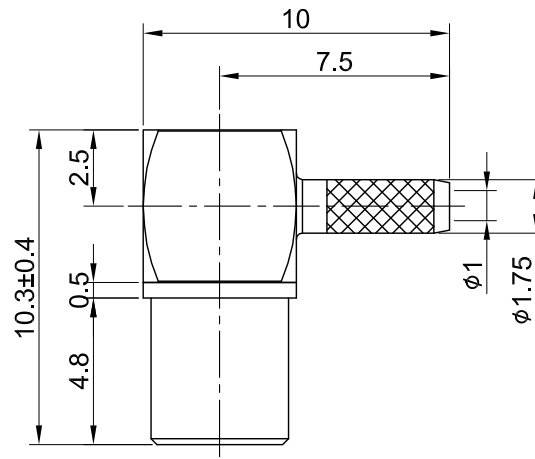
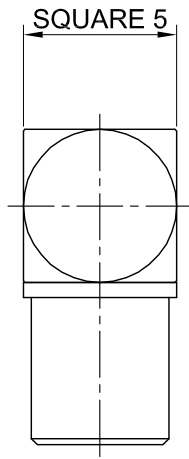
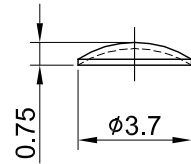


REV	DESCRIPTION	DATE
1.10	NEW DRAWING FRAME	2023/06/26
1.20	CORRECT INSULATION RESISTANCE	2023/11/21



RECOMMENDED STRIP LENGTHS



MECHANICAL DATA
 DURABILITY : 100 CYCLES
 TEMPERATURE RANGE : -65°C ~ + 165°C

ELECTRICAL DATA
 FREQUENCY RANGE: DC~6GHz
 IMPEDANCE : 50Ω
 VSWR : 1.5 MAX.
 WORKING VOLTAGE : AC 335V
 WITHSTANDING VOLTAGE : AC 500V
 INSULATION RESISTANCE : 1000 MΩ MIN

06	FERRULE	BRASS	GOLD	1
05	BODY B	BRASS	GOLD	1
04	INSULATOR	TEFLON	NONE	1
03	CENTER PIN	P.BRONZE	GOLD	1
02	BODY A	BRASS	GOLD	1
01	COVER	BRASS	GOLD	1
NO	DESCRIPTION	MATERIAL	FINISH	Q'TY

TITLE		DRAWN BY:		CHK'D BY:		REVISION	
MCX(F) ra. crimp type for RG178		Lottie	2023/11/21	Dora	2023/11/21	REV. 1.20	
DWG NO. C08BA3F178009A		DRAWN BY: Lottie 2023/11/21		CHK'D BY: Dora 2023/11/21		REV. 1.20	
CUST. P/N: N/A DWG NO: N/A		DRAWN BY: Lottie 2023/11/21		CHK'D BY: Dora 2023/11/21		REV. 1.20	
SHEET 1 of 1		Unit: mm		DA2311160022		1.20	



GENERAL TOLERANCES		DRAWN BY:		CHK'D BY:		REVISION	
.X	±0.2	Lottie	2023/11/21	Dora	2023/11/21	REV. 1.20	
.XX	±0.2						
.XXX	±0.2						
ANGLES	N/A						