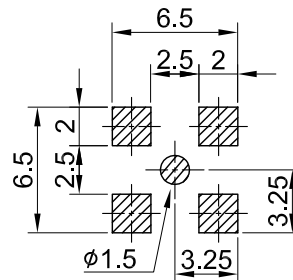
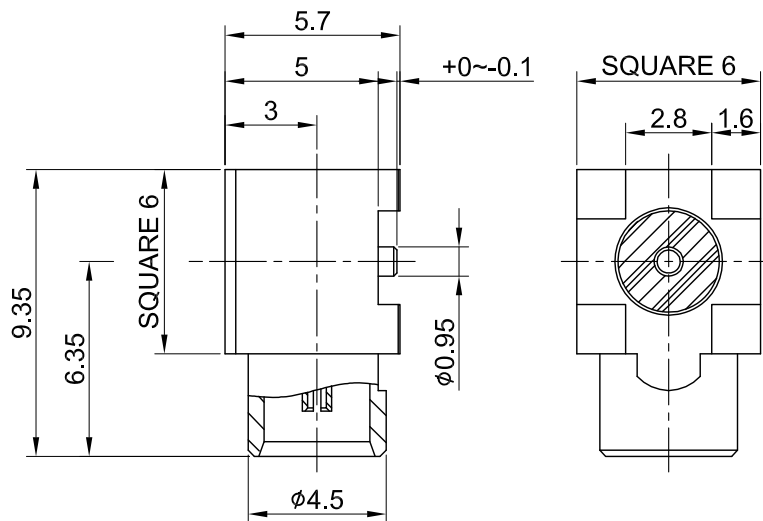


REV	DESCRIPTION	DATE
3.10	NEW DRAWING FRAME	2023/06/26
3.20	CORRECT INSULATION RESISTANCE	2023/11/21



RECOMMENDED  
PCB LAYOUT



MECHANICAL DATA  
 DURABILITY : 100 CYCLES  
 TEMPERATURE RANGE : -65°C ~ + 165°C

ELECTRICAL DATA  
 FREQUENCY RANGE: DC~3GHz  
 IMPEDANCE : 75Ω  
 VSWR : 1.5 MAX.  
 WORKING VOLTAGE : AC 335V  
 WITHSTANDING VOLTAGE : AC 500V  
 INSULATION RESISTANCE : 1000 MΩ MIN

06	INSULATOR C	TEFLON	NONE	1
05	CENTER PIN	Be.Cu	GOLD	1
04	INSULATOR B	TEFLON	NONE	1
03	PRESS WASHER	BRASS	GOLD	1
02	INSULATOR A	TEFLON	NONE	1
01	BODY	BRASS	GOLD	1
NO	DESCRIPTION	MATERIAL	FINISH	Q'TY

TITLE		DRAWN BY:		CHK'D BY:		REVISION	
MCX(F) R/A PCB Mount SMT type (75ohm)		Lottie	2023/11/21	Dora	2023/11/21	REV. 3.20	
DWG NO. C08PN3F15		GENERAL TOLERANCES		DRAWING SYMBOL		DA2311160031	
CUST. P/N: N/A DWG NO: N/A		.X ±0.2	.XX ±0.2	ANGLES N/A		SHEET 1 of 1 Unit: mm	

