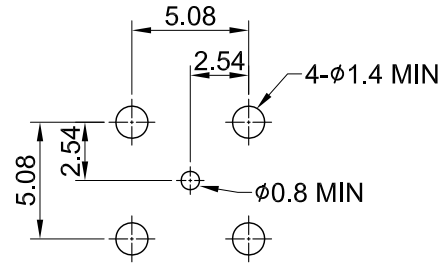
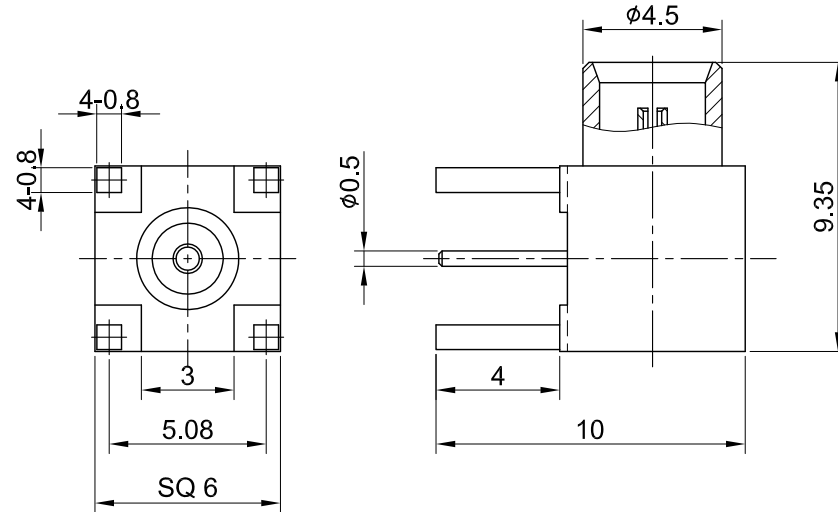


REV	DESCRIPTION	DATE
2.00	CHG BODY TO ONE-PIECE	2023/06/01
2.10	UPDATE ELECTRICAL DATE	2023/06/26



RECOMMENDED
PCB HOLE



MECHANICAL DATA
DURABILITY : 500 CYCLES
TEMPERATURE RANGE : -65C ~ + 165C

ELECTRICAL DATA
FREQUENCY RANGE : DC~3GHZ
IMPEDANCE : 75Ω
VSWR : 1.5 MAX.
WORKING VOLTAGE : AC 335V
WITHSTANDING VOLTAGE : AC 500V
INSULATION RESISTANCE : 1000MΩ

04	INSULATOR B	TEFLON	NONE	1
03	CENTER PIN	Be.Cu	GOLD	1
02	INSULATOR A	TEFLON	NONE	1
01	BODY	BRASS	GOLD	1
NO	DESCRIPTION	MATERIAL	FINISH	Q'TY

TITLE		DRAWN BY: Kelly		2023/06/26
MCX(F) R/A PCB type (75 ohm), 4mm leg length		CHK'D BY: Mindy		2023/06/26
DWG NO. C08PN3FP00606		GENERAL TOLERANCES		
CUST. P/N: N/A DWG NO: N/A		.X ±0.2 .XX ±0.2 .XXX ±0.2 ANGLES N/A		
SHEET 1 of 1		Unit: mm		REV. 2.10
		DA2306210040		