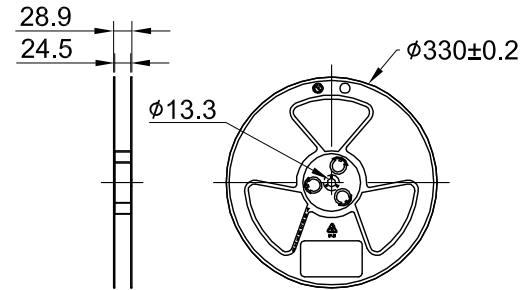
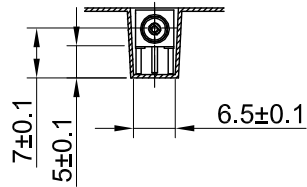
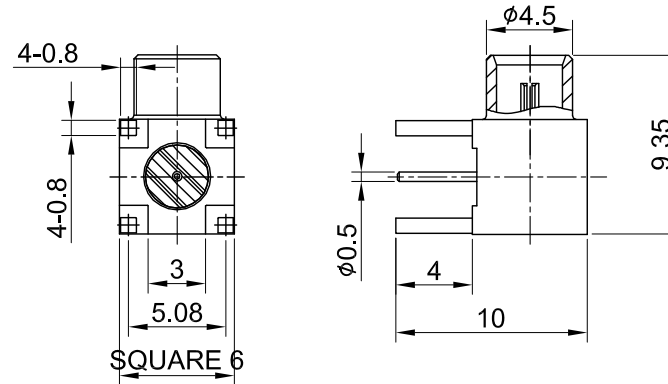


RECOMMENDED  
P.C.B LAYOUT



TAPE DETAIL



REV	DESCRIPTION	DATE
2.10	NEW DRAWING FRAME	2023/06/26
2.20	CORRECT INSULATION RESISTANCE	2023/11/21

MECHANICAL DATA  
 DURABILITY : 500 CYCLES  
 TEMPERATURE RANGE : -65°C ~ + 165°C

ELECTRICAL DATA  
 FREQUENCY RANGE: DC~3GHz  
 IMPEDANCE : 75Ω  
 VSWR : 1.3 MAX.  
 WORKING VOLTAGE : AC 335V  
 WITHSTANDING VOLTAGE : AC 500V  
 INSULATION RESISTANCE : 1000 MΩ MIN

NOTE  
 1. TWO REELS IN A BOX  
 2. BOX SIZE : 335x335x65 (mm)  
 3. COMPONENT LOAD PER REEL : 550PCS

04	INSULATOR B	TEFLON	NONE	1
03	BODY	BRASS	GOLD	1
02	INSULATOR A	TEFLON	NONE	1
01	CENTER PIN	Be.Cu	GOLD	1
NO	DESCRIPTION	MATERIAL	FINISH	Q'TY

TITLE	
MCX(F) R/A PCB type (75 ohm), 4mm leg length, in tape reel	
DWG NO.	C08PN3FP00606-1
CUST. P/N:	N/A
DWG NO:	N/A
SHEET	1 of 1
Unit:	mm
GENERAL TOLERANCES	
.X	±0.2
.XX	±0.2
.XXX	±0.2
ANGLES	N/A
DRAWN BY: Lottie 2023/11/21	
CHK'D BY: Dora 2023/11/21	
DA2311160036	REV. 2.20

