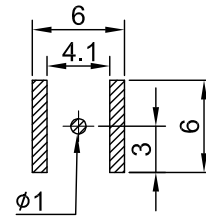
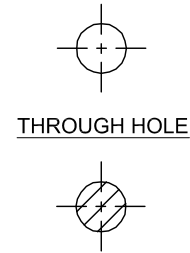


RECOMMENDED PCB HOLE



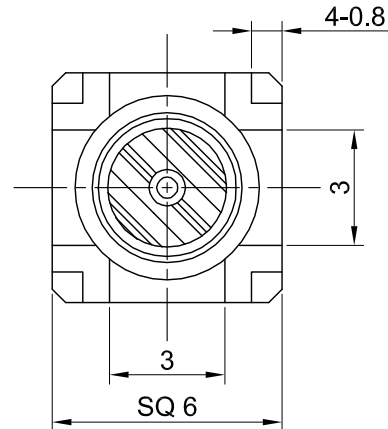
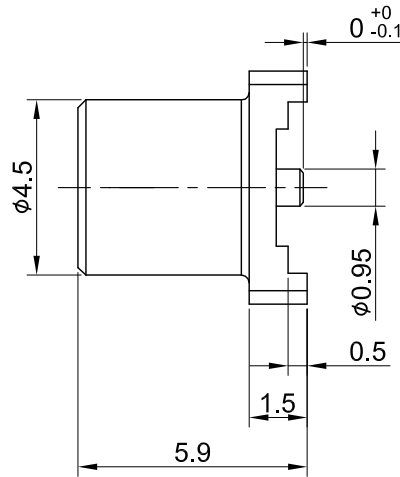
RECOMMENDED SOLDER PAD



THROUGH HOLE

SOLDER PAD

REV	DESCRIPTION	DATE
2.00	CHG PCB & PIN DESIGN, DIM $0_{0.1}^{+0} / 0.5$ w. $0_{-0.1}^{+0.05} / 0.52$	2017/08/21
2.10	NEW DRAWING FRAME	2024/08/30



MECHANICAL DATA
 DURABILITY : 500 CYCLES
 TEMPERATURE RANGE : -65°C ~ + 165°C

ELECTRICAL DATA
 FREQUENCY RANGE: DC~6GHz
 IMPEDANCE : 50Ω
 VSWR : 1.3 MAX.
 WORKING VOLTAGE : AC 335V
 WITHSTANDING VOLTAGE : AC 500V
 INSULATION RESISTANCE : 1000 MΩ MIN

03	CENTER PIN	Be.Cu	GOLD	1
02	INSULATOR	TEFLON	NONE	1
01	BODY	BRASS	GOLD	1
NO	DESCRIPTION	MATERIAL	FINISH	Q'TY

TITLE		DRAWN BY: Kelly		2024/08/30
MCX(F) SMT type		CHK'D BY: Mindy		2024/08/30
DWG NO. C08AN3F07		REVISION		REV. 2.10
CUST. P/N: N/A		DRAWING SYMBOL		
DWG NO: N/A		DA2408290007		
SHEET 1 of 1		Unit: mm		



GENERAL TOLERANCES	
.X	±0.2
.XX	±0.2
.XXX	±0.2
ANGLES	N/A