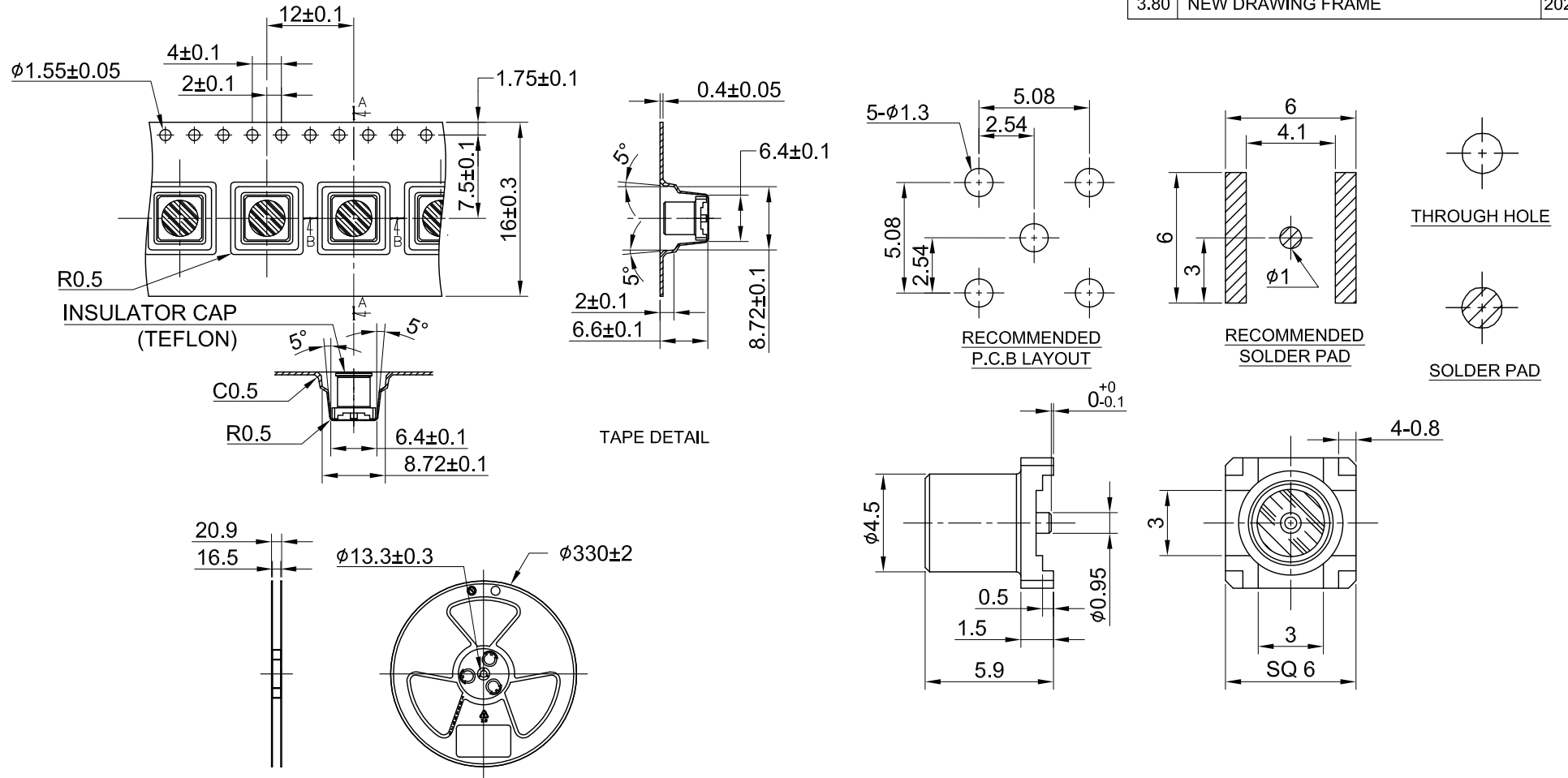


REV	DESCRIPTION	DATE
3.50	UPDATE DRAWING	2020/01/06
3.80	NEW DRAWING FRAME	2024/08/30



REEL DETAIL <UNIT PER REEL: 850PCS>

MECHANICAL DATA
TEMPERATURE RANGE : -65°C ~ + 165°C

ELECTRICAL DATA
FREQUENCY RANGE: DC ~ 6GHz
IMPEDANCE : 50Ω
VSWR : 1.3 MAX.
WORKING VOLTAGE : AC 335V
WITHSTANDING VOLTAGE : AC 500V
INSULATION RESISTANCE : 1000 MΩ MIN

03	INSULATOR	TEFLON	NONE	1
02	PIN	Be.Cu	GOLD	1
01	BODY	BRASS	GOLD	1
NO	DESCRIPTION	MATERIAL	FINISH	Q'TY

TITLE
MCX(F) SMT type, w/plastic cover, pick-and-place reel packing
(0.5mm hole on cap)

DWG NO.
C08AN3F07A



CUST.
P/N: N/A
DWG NO: N/A

GENERAL TOLERANCES		DRAWN BY: Kelly 2023/10/13	
.X	±0.2		REV. 3.80
.XX	±0.2		
.XXX	±0.2		
ANGLES	N/A	DA2310130009	

SHEET 1 of 1 Unit: mm