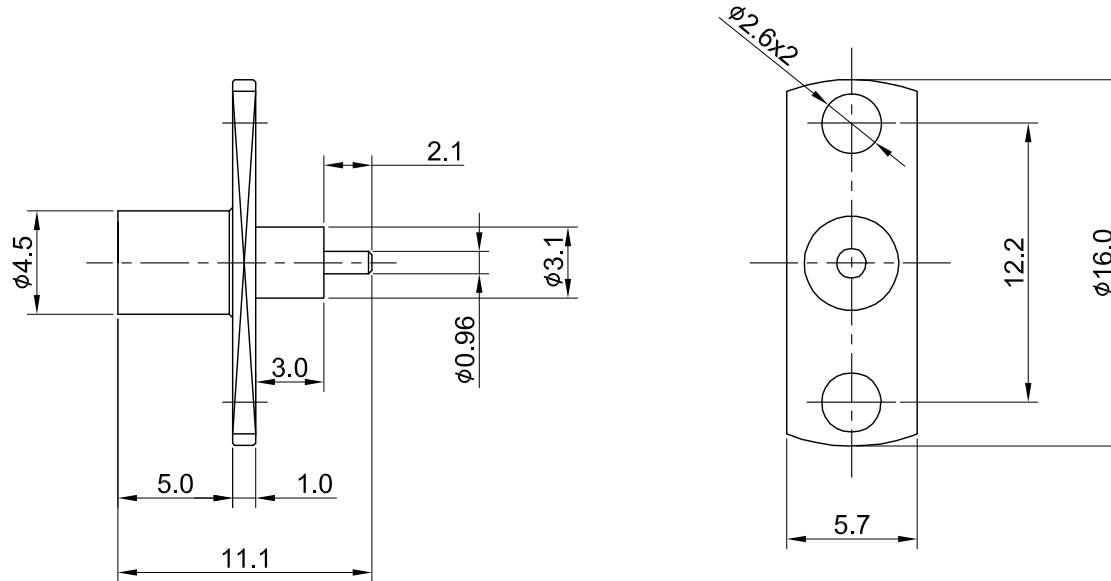


REV	DESCRIPTION	DATE
1.00	INITIAL DESIGN	2013/10/31
1.10	NEW DRAWING FRAME	2024/08/30



MECHANICAL DATA
 DURABILITY : 500 CYCLES
 TEMPERATURE RANGE : -65°C ~ + 165°C

ELECTRICAL DATA
 FREQUENCY RANGE: DC~6GHz
 IMPEDANCE : 50Ω
 VSWR : 1.3 MAX.
 WORKING VOLTAGE : AC 500V
 WITHSTANDING VOLTAGE : AC 1000V
 INSULATION RESISTANCE : 5000 mΩ MIN

TITLE
 MCX(F)st. 2holes panel w/3mm extended PTFE, blunt post
 2.1mm

DWG NO.
 C08AQ3121



03	PIN	Be.Cu	GOLD	1
02	INSULATOR	TEFLON	NONE	1
01	BODY	BRASS	GOLD	1
NO	DESCRIPTION	MATERIAL	FINISH	Q'TY

CUST.
 P/N: N/A
 DWG NO: N/A
 SHEET 1 of 1 Unit: mm

GENERAL TOLERANCES		DRAWN BY: Kelly 2024/08/30	
.X	±0.2	CHK'D BY: Mindy	2024/08/30
.XX	±0.2		REV.
.XXX	±0.2		1.10
ANGLES	N/A	DA2408290005	