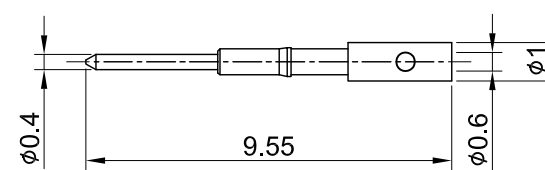
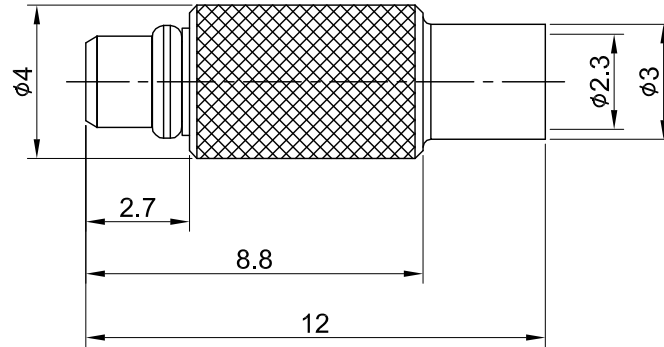
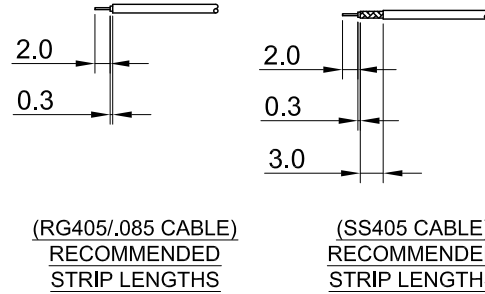



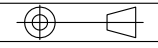
REV	DESCRIPTION	DATE
1.10	NEW DRAWING FRAME	2023/06/20
1.20	CORRECT INSULATION RESISTANCE & FREQUENCY RANGE	2023/12/15



MECHANICAL DATA
TEMPERATURE RANGE : -65°C ~ + 165°C

ELECTRICAL DATA
FREQUENCY RANGE: DC ~ 8 GHz
IMPEDANCE : 50Ω
VSWR : 1.3 MAX.
WORKING VOLTAGE : AC 170V
WITHSTANDING VOLTAGE : AC 500V
INSULATION RESISTANCE : 1000 MΩ MIN

04	PIN	BRASS	GOLD	1
03	BODY	BRASS	GOLD	1
02	INSULATOR	TEFLON	NONE	1
01	C RING	Be.Cu	GOLD	1
NO	DESCRIPTION	MATERIAL	FINISH	Q'TY

TITLE		DRAWN BY:	
MMCX(M)st. solder for RG405/SS405/.085		Lottie	2023/12/15
DWG NO.		CHK'D BY:	
C05AA3F085008-1		Kana	2023/12/15
CUST. P/N: N/A			
DWG NO: N/A			
SHEET 1 of 1			
Unit: mm		REV. 1.20	
		DA2312130013	

GENERAL TOLERANCES	
.X	±0.2
.XX	±0.2
.XXX	±0.2
ANGLES	N/A