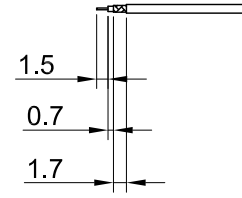
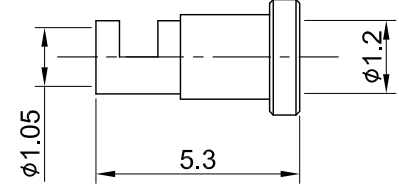
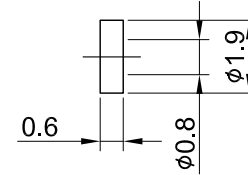
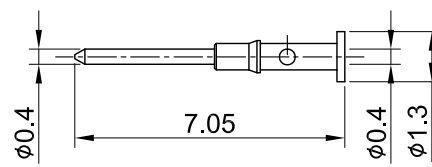
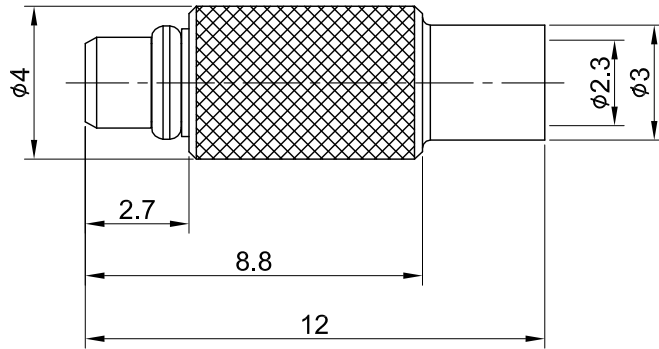


REV	DESCRIPTION	DATE
1.30	NEW DRAWING FRAME	2023/06/20
1.40	CORRECT INSULATION RESISTANCE	2023/11/15



RECOMMENDED STRIP LENGTHS



MECHANICAL DATA
TEMPERATURE RANGE : -65°C ~ + 165°C

ELECTRICAL DATA
FREQUENCY RANGE: DC~6GHz
IMPEDANCE : 50Ω
VSWR : 1.3 MAX.
WORKING VOLTAGE : AC 170V
WITHSTANDING VOLTAGE : AC 500V
INSULATION RESISTANCE : 1000 MΩ MIN

06	FERRULE	BRASS	GOLD	1
05	INSULATOR	TEFLON	NONE	1
04	PIN	BRASS	GOLD	1
03	BODY	BRASS	GOLD	1
02	INSULATOR	TEFLON	NONE	1
01	C RING	Be.Cu	GOLD	1
NO	DESCRIPTION	MATERIAL	FINISH	Q'TY

TITLE		MMCX (M) st. crimp for 1.13/1.13 low loss cable	
DWG NO.		C05AA3F113003	
CUST. P/N: N/A		DRAWN BY: Lottie 2023/11/15	
DWG NO: N/A		CHK'D BY: Kana 2023/11/15	
SHEET 1 of 1		Unit: mm	
GENERAL TOLERANCES .X ±0.2 .XX ±0.2 .XXX ±0.2 ANGLES N/A		DA2311130025 REV. 1.40	

