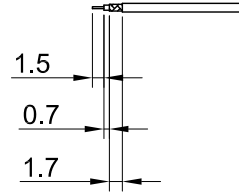
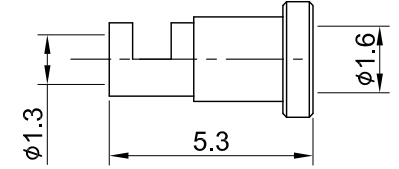
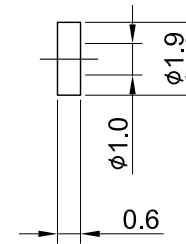
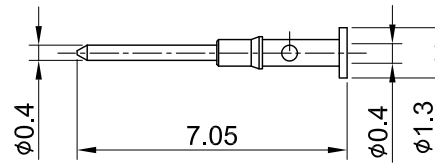
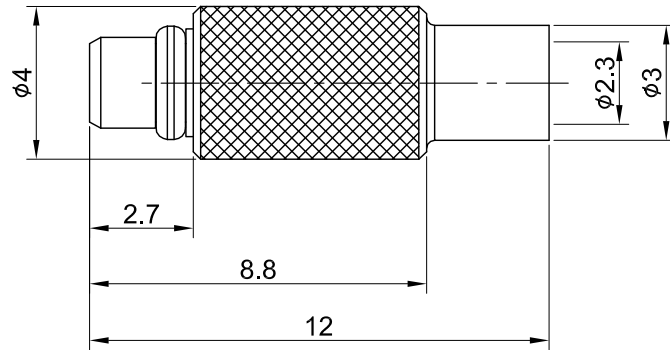


REV	DESCRIPTION	DATE
1.40	NEW DRAWING FRAME	2023/10/11



RECOMMENDED STRIP LENGTHS



MECHANICAL DATA
 DURABILITY : 100 CYCLES
 TEMPERATURE RANGE : -65°C ~ + 165°C

ELECTRICAL DATA
 FREQUENCY RANGE: DC~6GHz
 IMPEDANCE : 50Ω
 VSWR : 1.3 MAX.
 WORKING VOLTAGE : AC 170V
 WITHSTANDING VOLTAGE : AC 500V
 INSULATION RESISTANCE : 1000 MΩ MIN

06	FERRULE	BRASS	GOLD	1
05	INSULATOR B	TEFLON	NONE	1
04	CENTER PIN	BRASS	GOLD	1
03	BODY	BRASS	GOLD	1
02	INSULATOR A	TEFLON	NONE	1
01	C-RING	Be.Cu	GOLD	1
NO	DESCRIPTION	MATERIAL	FINISH	Q'TY

TITLE		MMCX (M) st. crimp for 1.37 cable	
DWG NO.		C05AA3F137003	
CUST. P/N:		N/A	
DWG NO:		N/A	
SHEET 1 of 1		Unit: mm	
GENERAL TOLERANCES .X ±0.2 .XX ±0.2 .XXX ±0.2 ANGLES N/A		DRAWN BY: Kelly 2023/10/11 CHK'D BY: Mindy 2023/10/11 REV. 1.40 DA2310110002	

